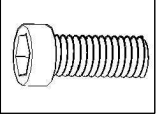


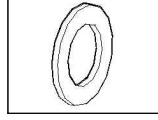
ASSEMBLY INSTRUCTIONS

Kit Contents:-

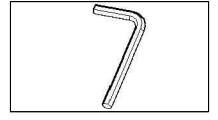
1. Allen bolts-5Pc



2. Washer-5Pc.



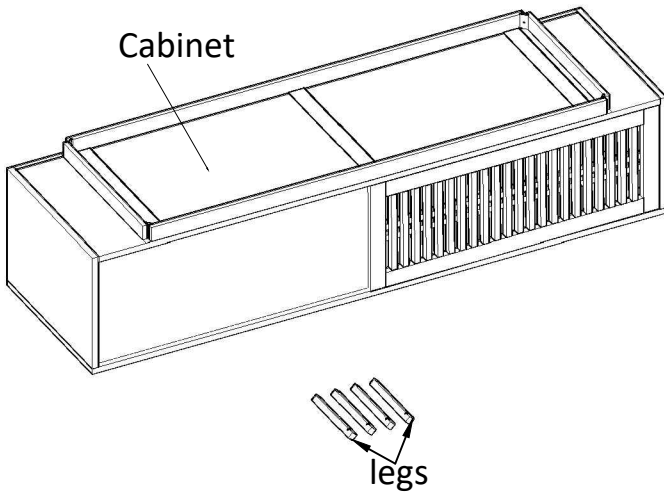
3. Allen-Key-1pc.



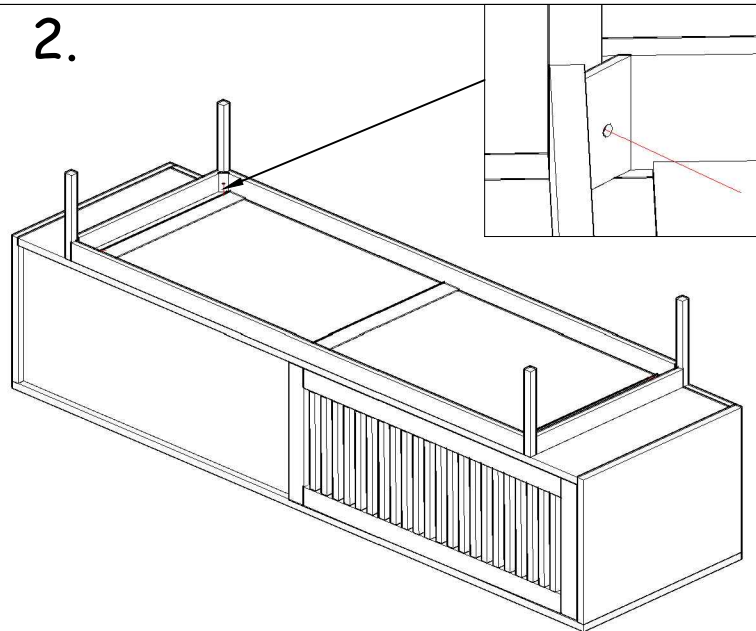
Instructions:-

1. Put the Plasma cabinet upside down on a protective surface with legs.
2. Match the holes on the bottom of cabinet with fastner on the legs.
3. Now secure using allen bolts , washer with allen key provided.
4. Now Plasma cabinet is ready to use.

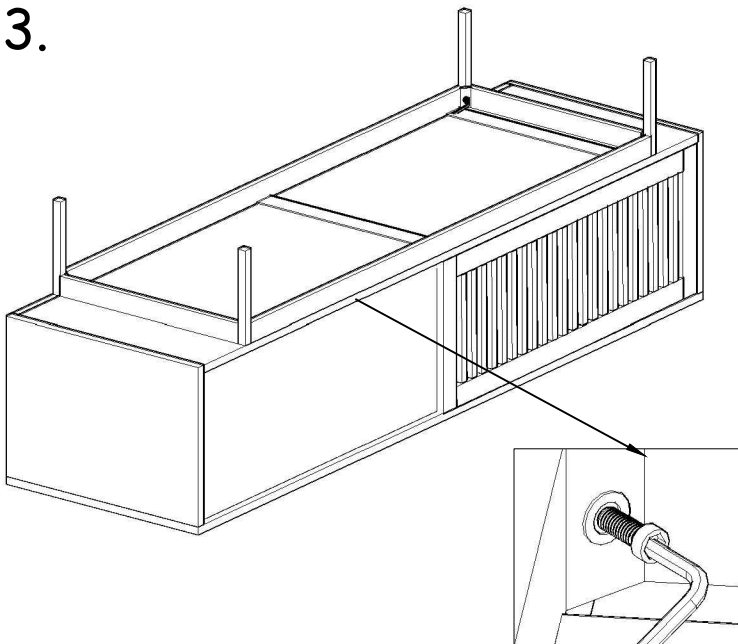
1.



2.



3.



4.

