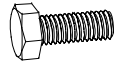


# ASSEMBLY INSTRUCTIONS

## Kit Contents:-

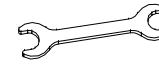
1. Bolts-5Pc.  
25x8mm



2. Washer-5Pc.  
8mm



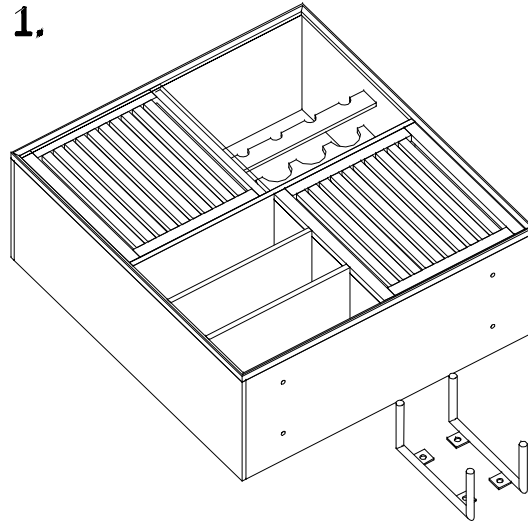
3. Spanner-1Pc.  
12-13 No.



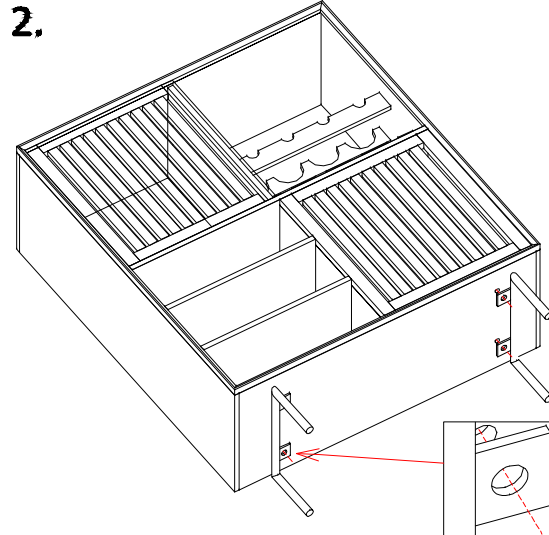
## Instructions:-

1. Place the cabinet & legs on a protective surface.
2. Match the base and top holes. (see image-2)
3. Fix with bolts & washers using spanner. (see image-3)
4. Cabinet can be turned upright and is ready to use. (see image-4)

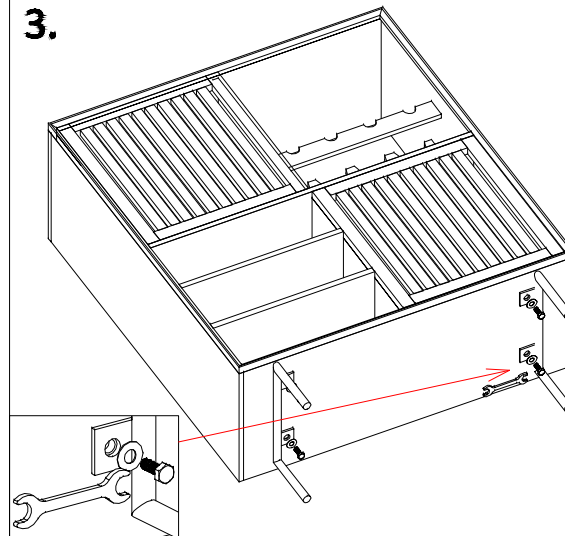
**1.**



**2.**



**3.**



**4.**

