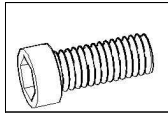


# ASSEMBLY INSTRUCTIONS

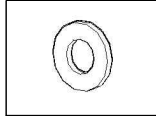
## Kit Contents:-

1. Allen Bolts-9Pc.



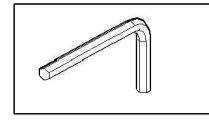
20 X 6mm

2. Washer-9Pc.



8mm

3. Allen-Key-1Pc.

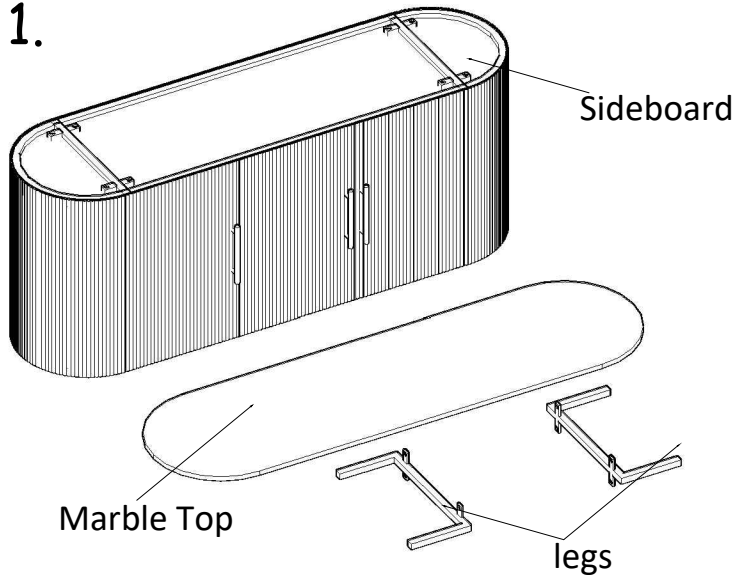


4mm

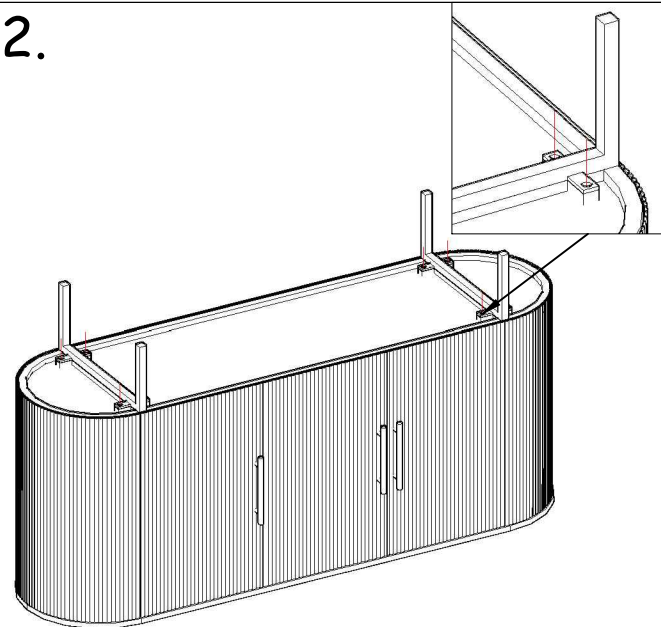
## Instructions:-

1. Put the Sideboard upside down on a protective surface with Marble top & legs.
2. Match the holes on the Sideboard leg with fastener on the bottom of the Sideboard.
3. Secure using Allen bolts, washers with Allen-Key provided. Similarly attach the other leg.
4. Turn the Sideboard upright and place marble top, Now Sideboard is ready to use.

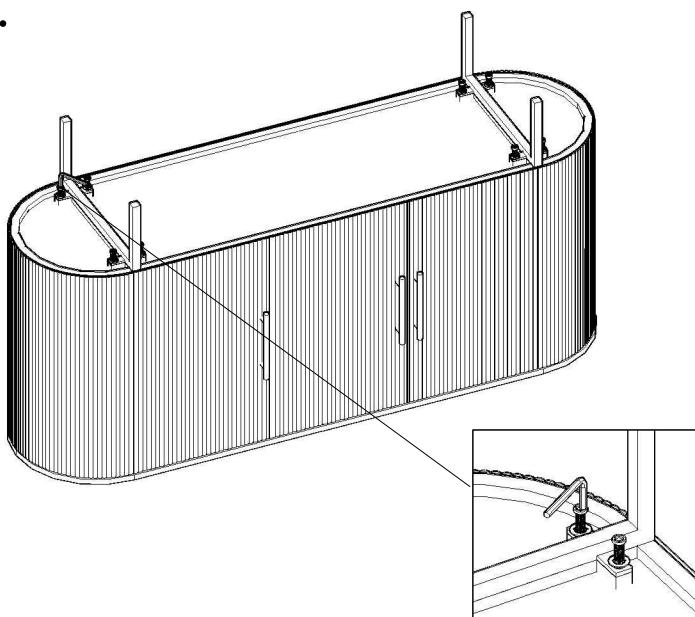
1.



2.



3.



4.

