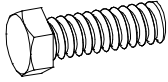


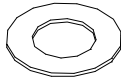
ASSEMBLY INSTRUCTIONS

Kit Contents :-

1. Bolt - 9Pc.
25x8mm.



2. Washer - 9Pc.
8mm.



3. Spanner - 1Pc.
12-13 no.



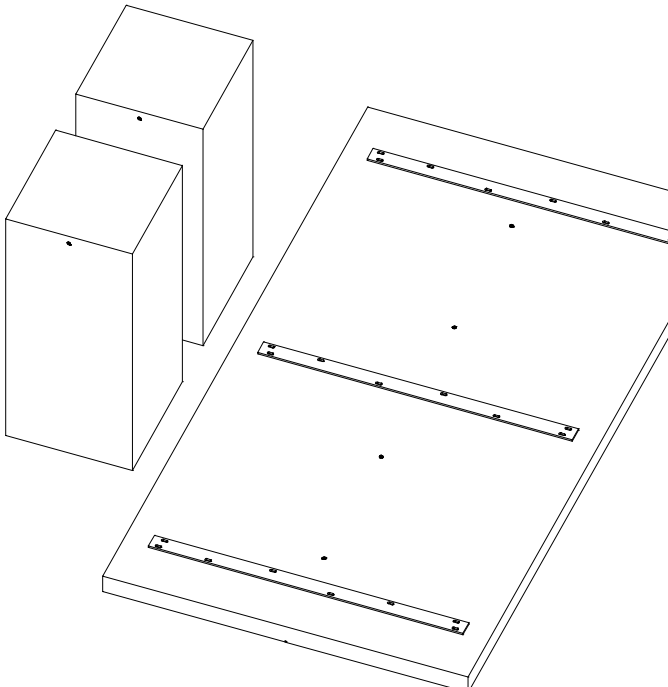
4. 'L' Clip - 4Pc.
50x50mm.



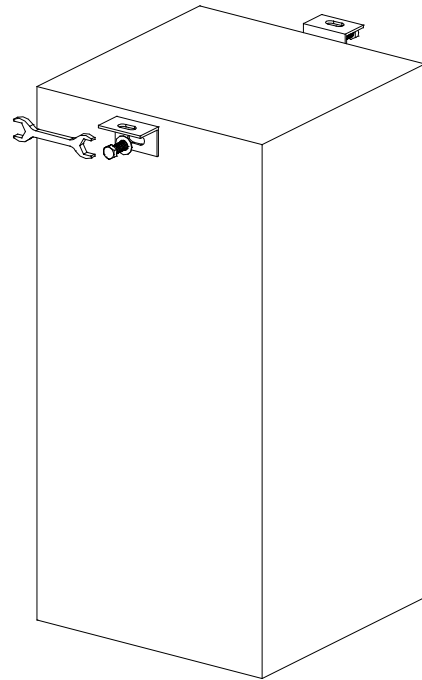
Instructions:-

1. Place the table top upside down.
2. Attached "L" clip to base on both sides matching holes.(See image 2)
3. Now place these bases on top and using with spanner (see image 3)
4. Turn the table upright and is ready to use

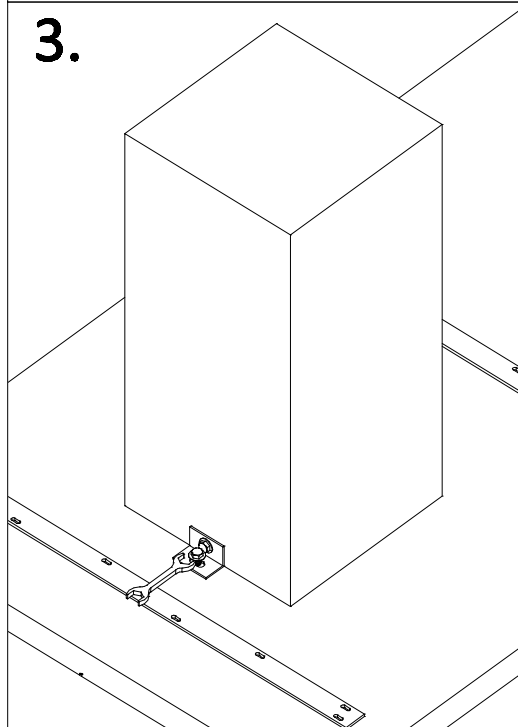
1.



2.



3.



4.

