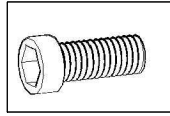


# ASSEMBLY INSTRUCTIONS

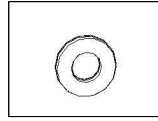
## Kit Contents:-

1. Allen Bolts-13Pc.



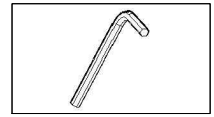
20 X 8mm

2. Washer-13Pc.



8mm

3. Allen-Key-1Pc.

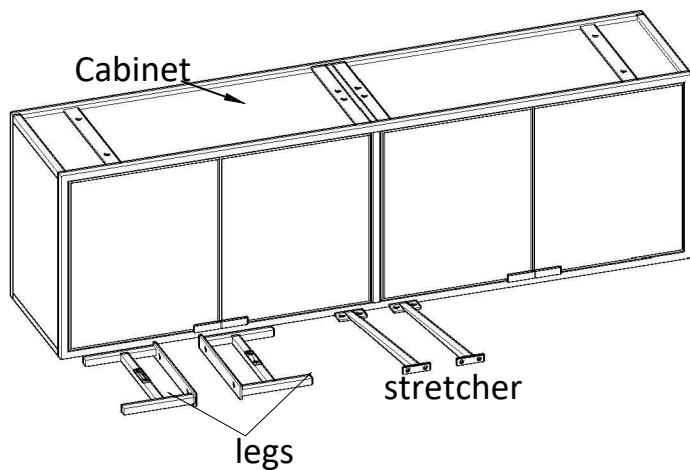


5mm

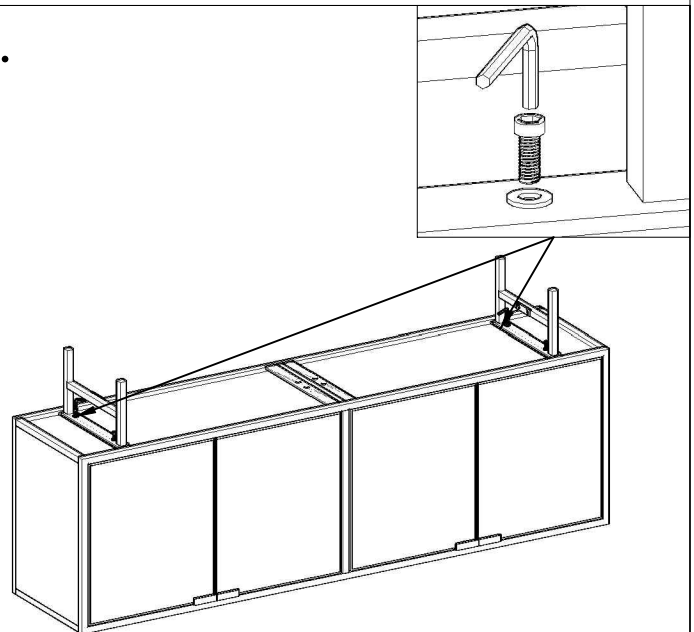
## Instructions:-

1. Put the Sideboard upside down on a protective surface with legs & stretcher.
2. Match the holes on the table leg with fastner on the bottom of the Sideboard & Secure using Allen-bolts & washers with Allen-Key provided. Similarly attach the other leg.
3. Match the holes on the Stretcher with fastner on the bottom of the Sideboard & fastner on the Sideboard leg & Secure using Allen-bolts & washers with Allen-Key provided. Similarly attach the other stretcher.
4. Turn the Sideboard upright and Now Sideboard is ready to use.

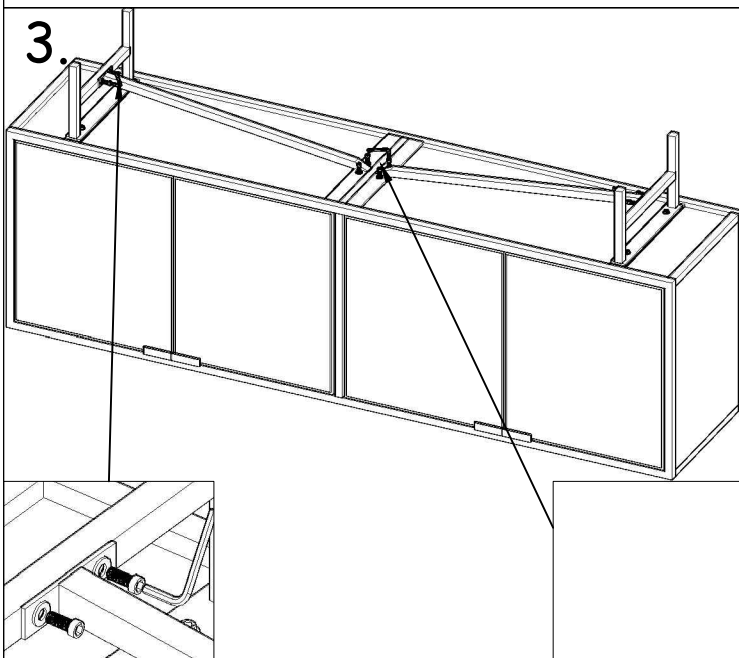
1.



2.



3.



4.

