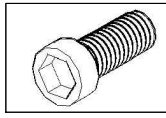


# ASSEMBLY INSTRUCTIONS

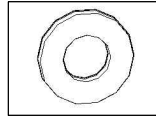
## Kit Contents:-

1. Allen-Bolts-13Pc.



25 X 8mm

2. Washer-13Pc.



8mm

3. Allen-Key-1Pc.

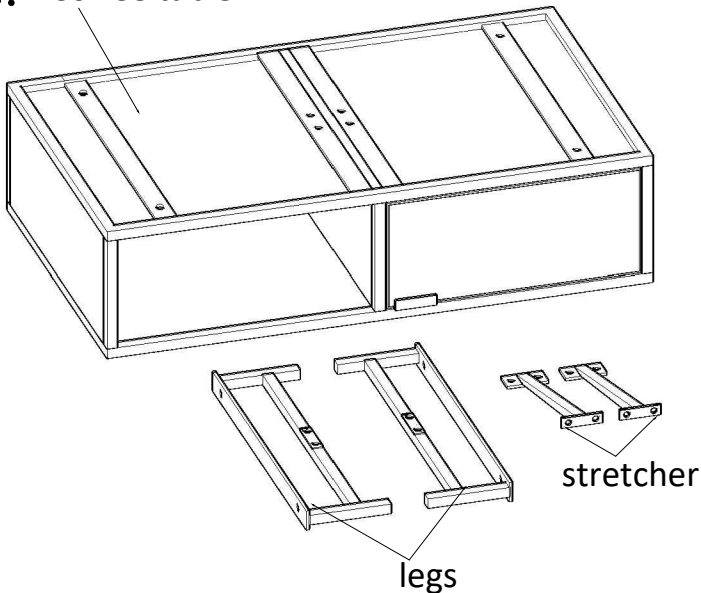


6mm

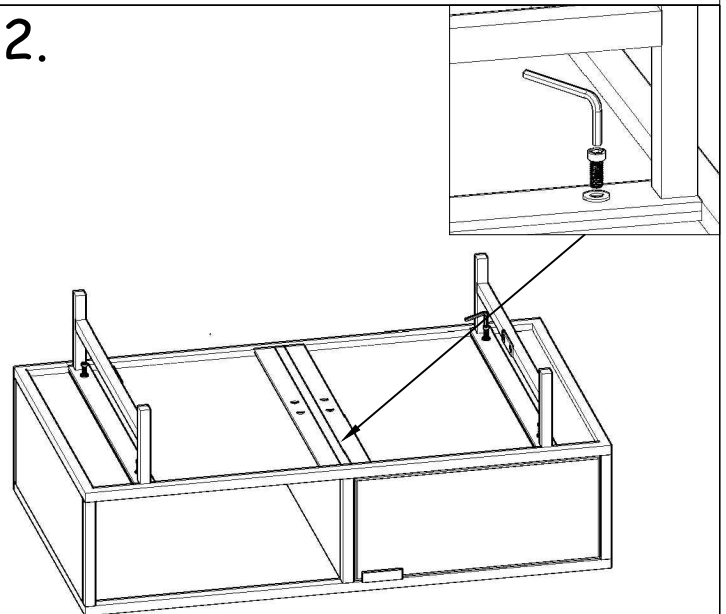
## Instructions:-

1. Put the Coffee table upside down on a protective surface with legs & stretcher.
2. Match the holes on the table leg with fastner on the bottom of the table & Secure using Allen-bolts & washers with Allen-Key provided. Similarly attach the other leg.
3. Match the holes on the Stretcher with fastner on the bottom of the table & fastner on the table leg & Secure using Allen-bolts & washers with Allen-Key provided. Similarly attach the other stretcher.
4. Turn the Coffee table upright and Now coffee table is ready to use.

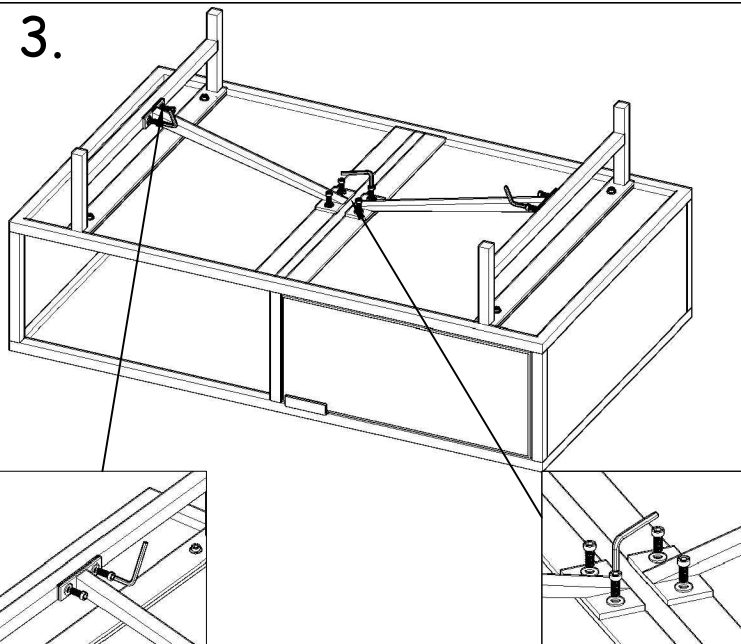
1. Coffee table



2.



3.



4.

