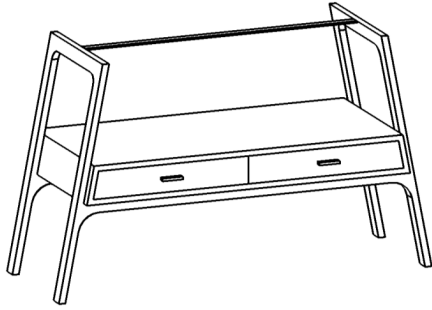
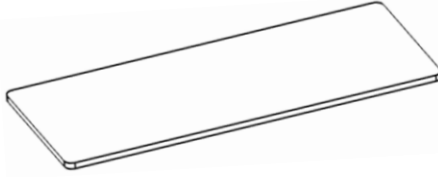


ASSEMBLY INSTRUCTION

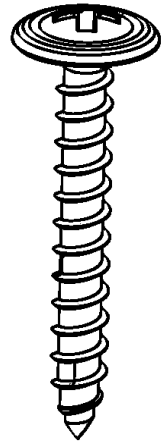


X1



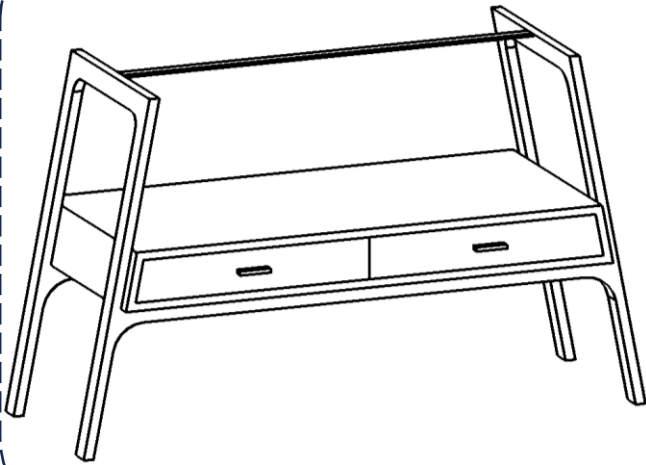
X1

M6X32



X6

STEP 1



STEP 2

