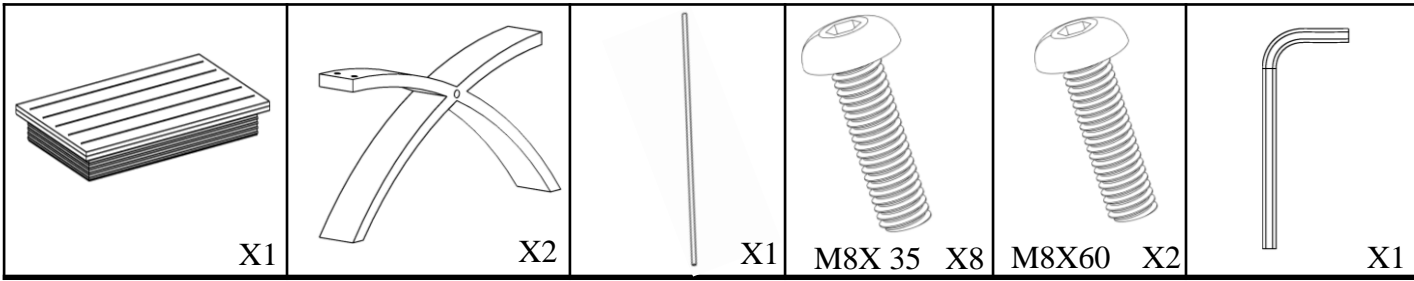
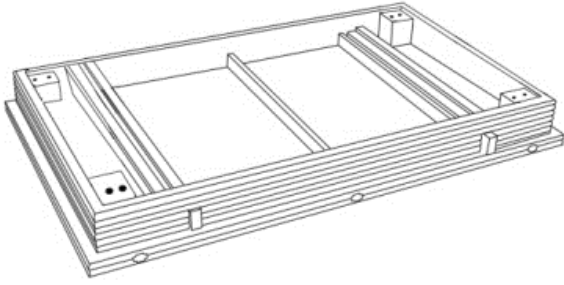


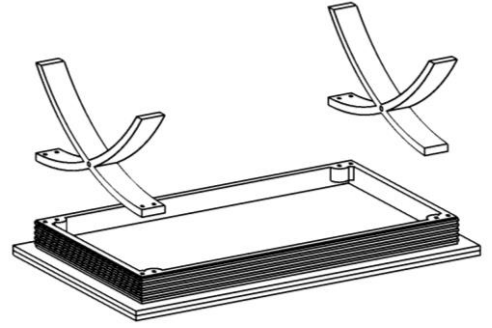
ASSEMBLY INSTRUCTION



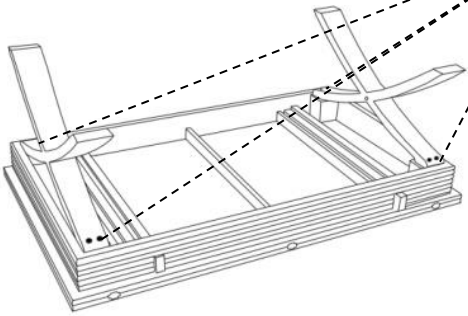
STEP 1



STEP 2

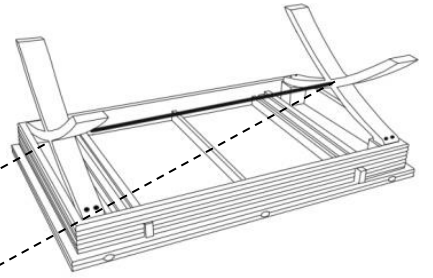


STEP 3

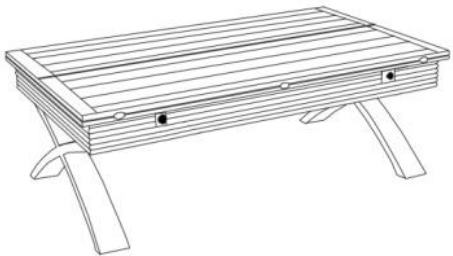


M8X35 X8

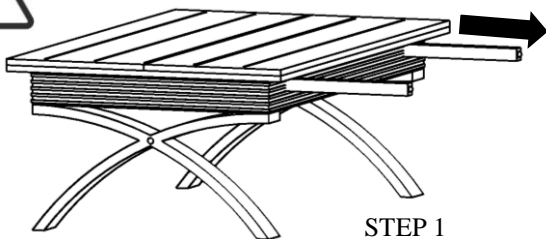
STEP 4



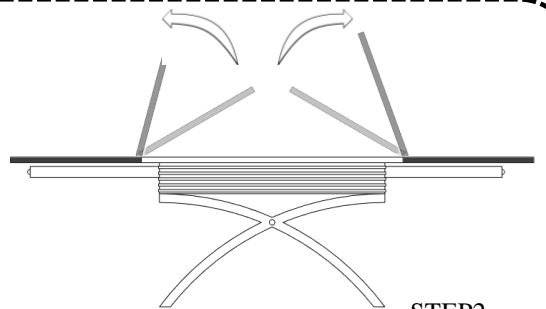
M8X60 X2



OPENING



STEP 1



STEP 2