

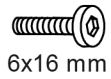
ASSEMBLY INSTRUCTIONS

VENDOR CODE (JC11)
:- JC-1000286

Ax1



C



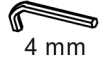
x8

D



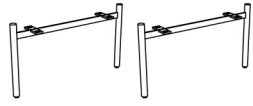
x8

E



x1

Bx2



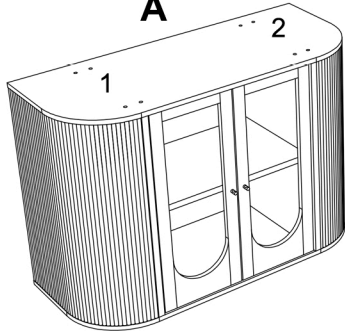
2 PERSON



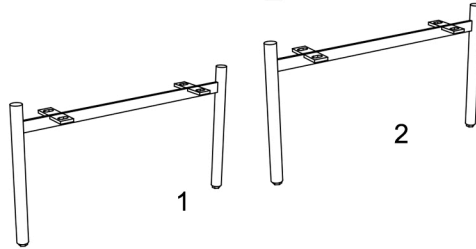
15 MIN

1

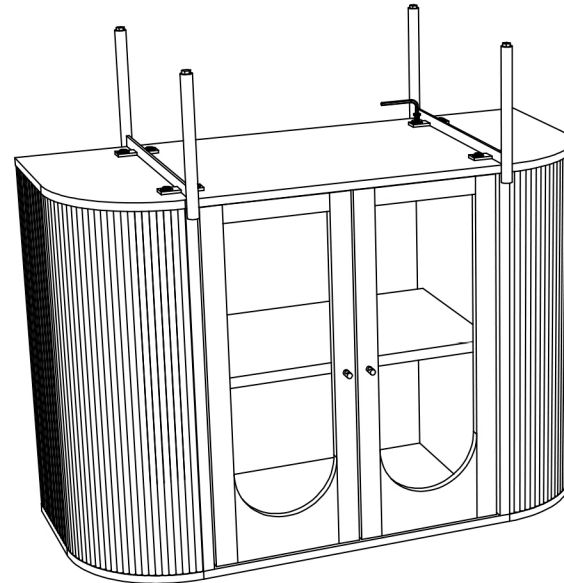
A



B

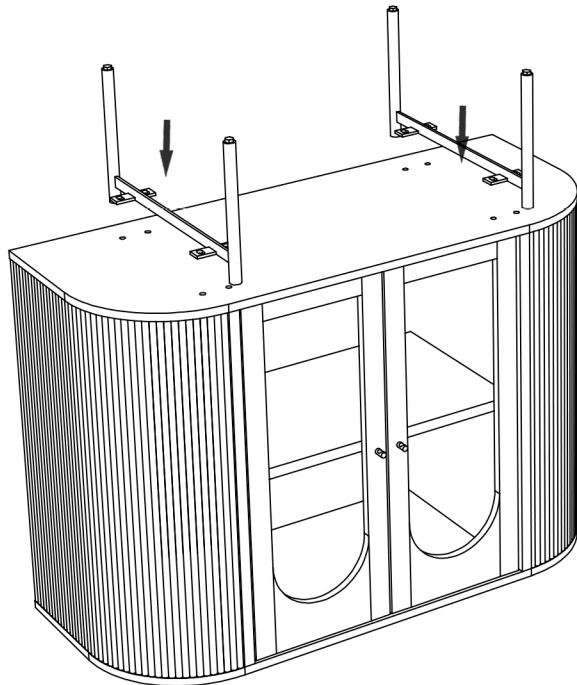


3



C + D + E

2



A + B

4

ASSEMBLED VIEW

