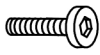


# ASSEMBLY INSTRUCTIONS

Vendor Code  
(JC12):-  
JC-999902



**Cx16**  
8x20mm



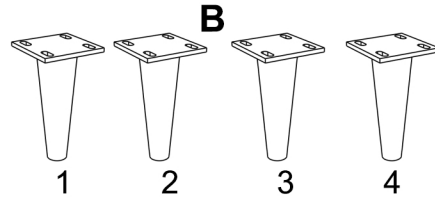
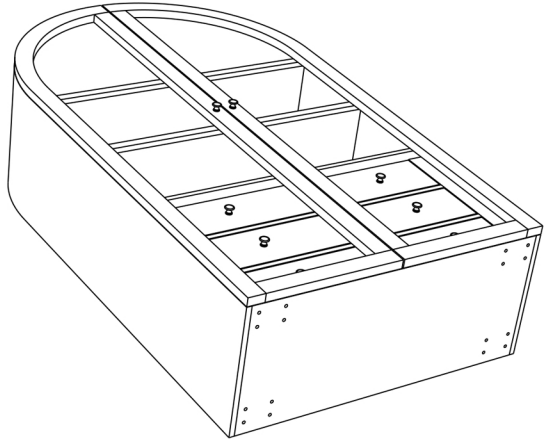
**Dx16**  
20mm



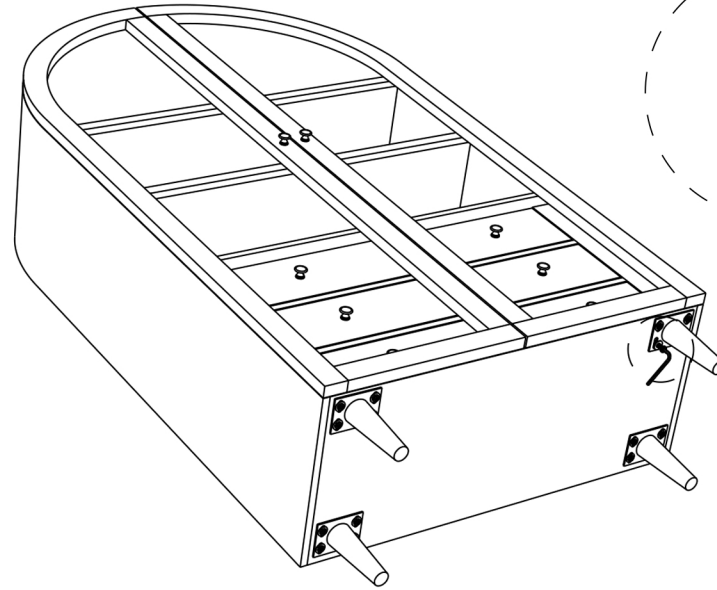
**Ex1**  
6mm



**1** **A**

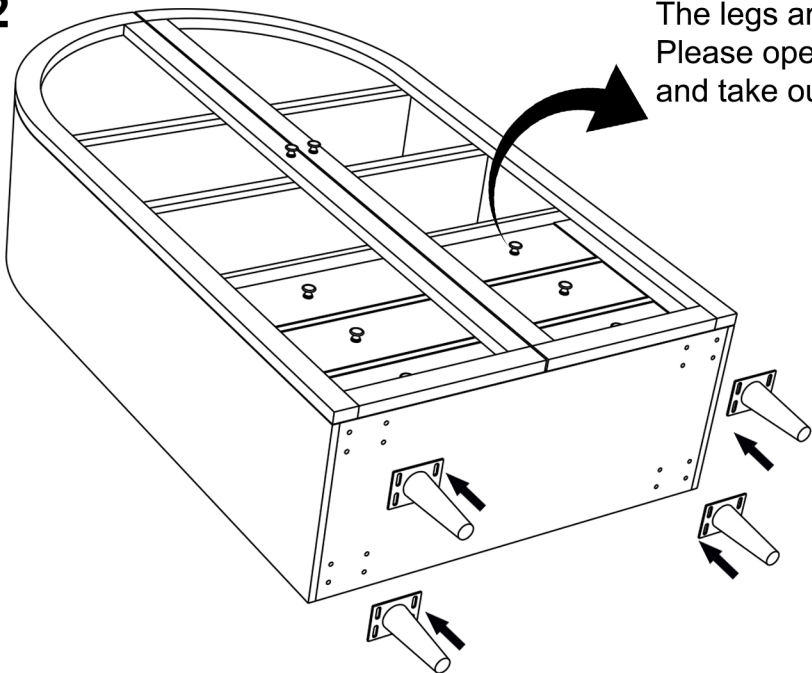


**3**



**C + D + E**

**2**



The legs are in the drawer.  
Please open the drawer  
and take out the legs.

**A + B**

**4**

**ASSEMBLED VIEW**

