

ASSEMBLY INSTRUCTION SHEET FOR TV CABINET

VENDOR CODE (JC13):-
JC-99509

Ax1



C



6x16mm

x8

D



20mm

x8

E



4mm

x1

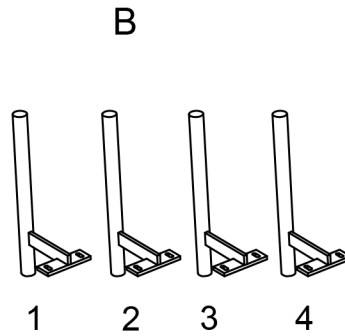
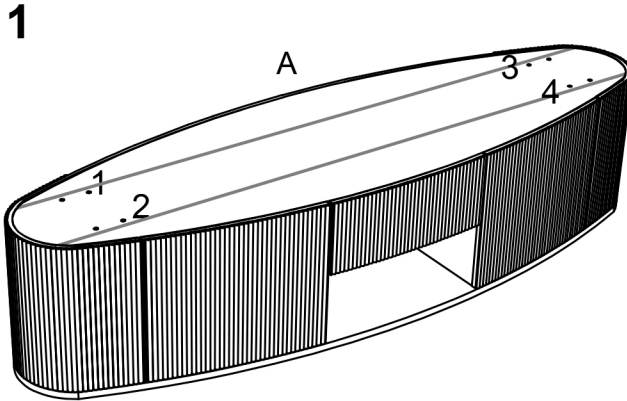
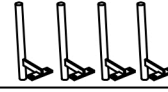


2 PERSON

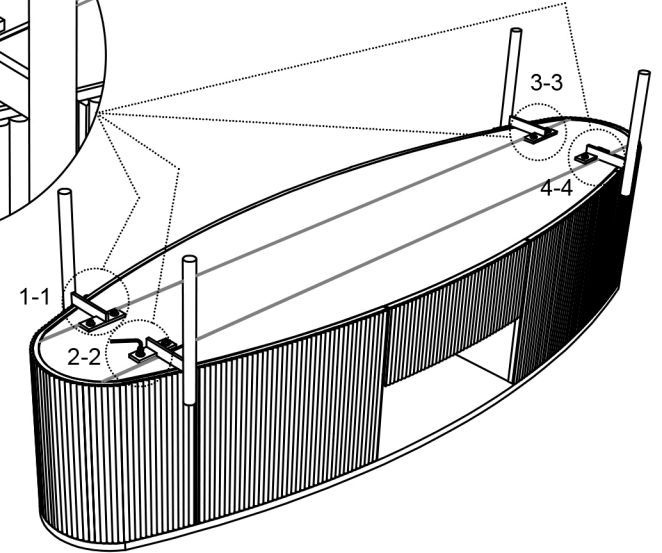
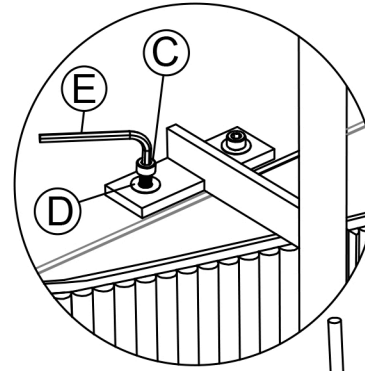


15 MIN

Bx4

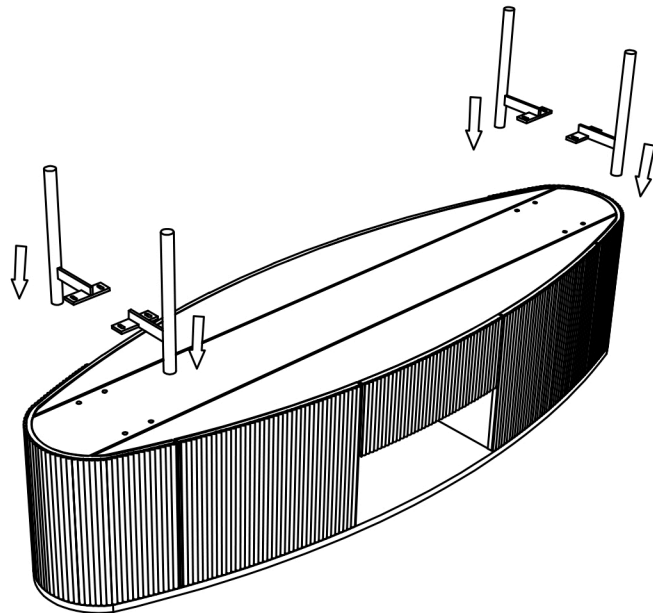


3



C+D+E

2



A+B

4

ASSEMBLED VIEW

