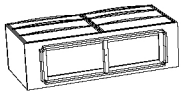
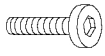


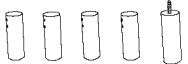

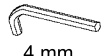
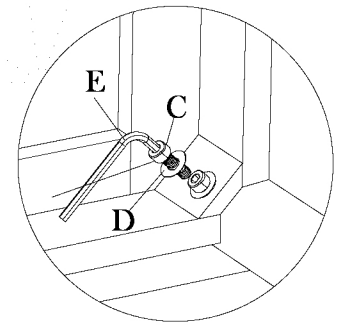
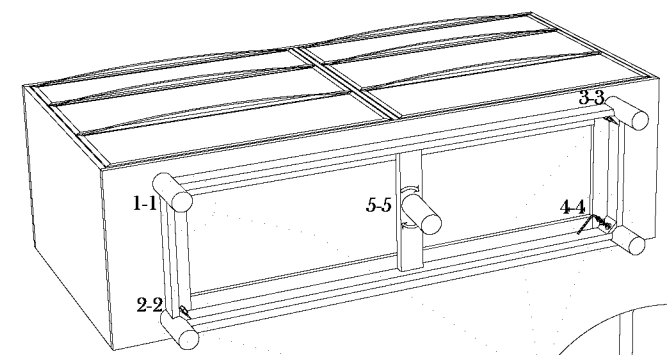


ASSEMBLY INSTRUCTION

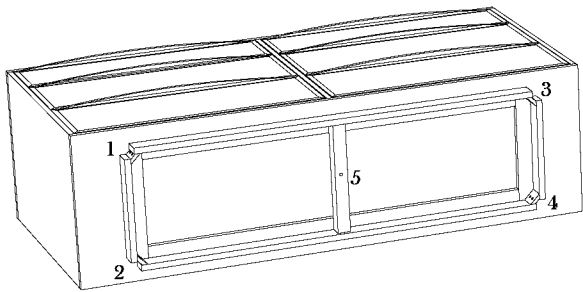
VENDOR CODE (JC17) :- JC-1000186		Ax1 	C  6x45 mm	x8
 2 PERSON	 15 MIN	Bx5 	D  20 mm	x8
			E  4 mm	x1

3-3

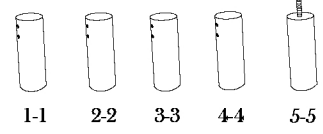


1-1

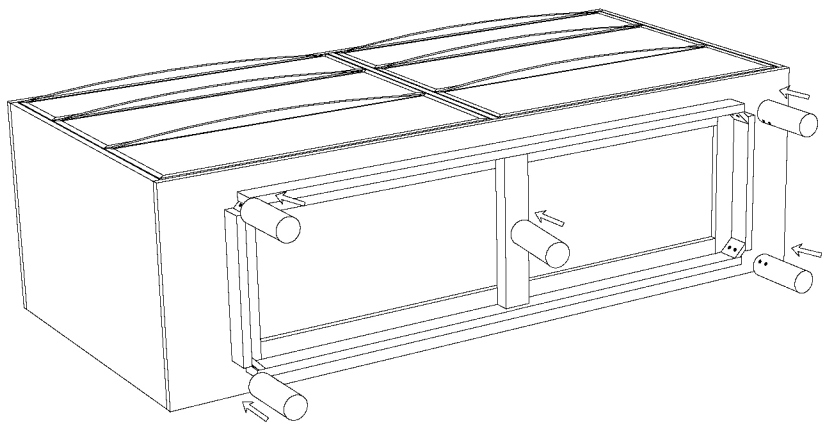
A



B



2-2



ASSEMBLED VIEW

