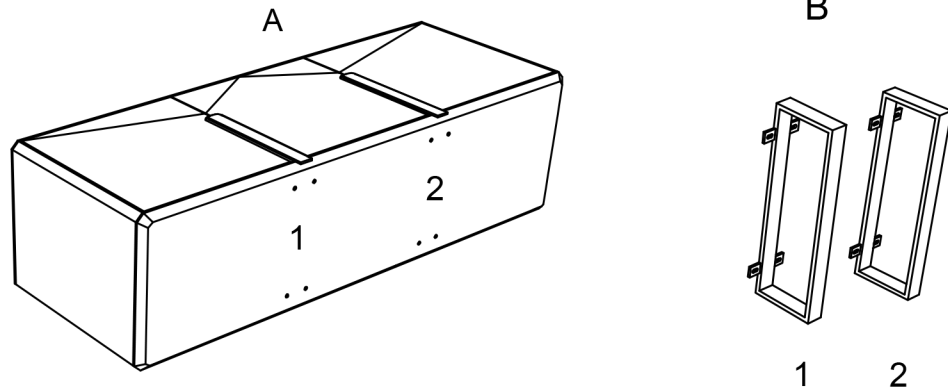


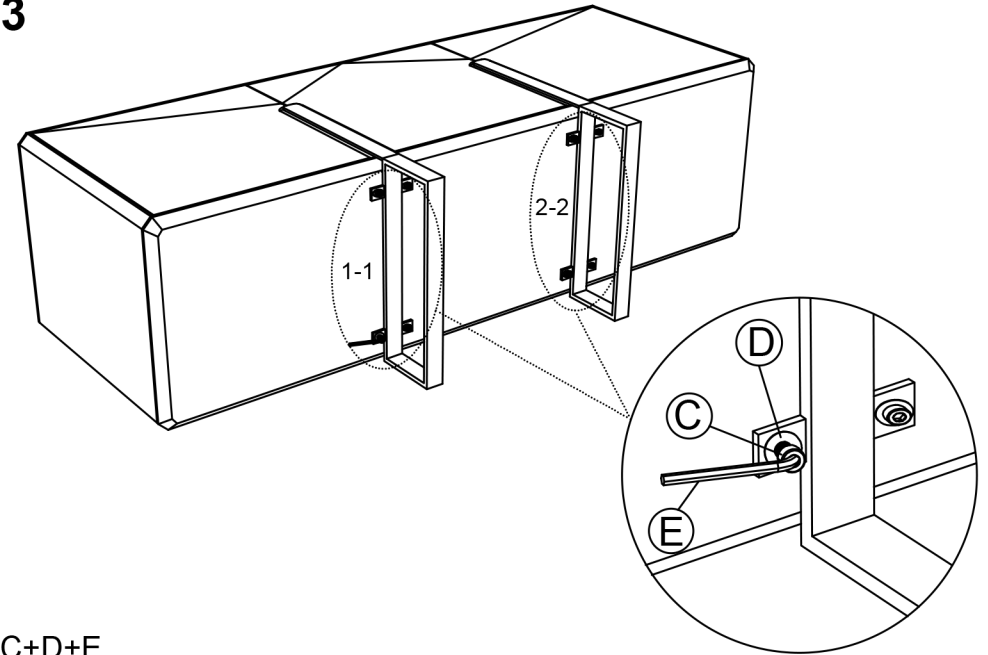
# ASSEMBLY INSTRUCTION SHEET FOR SIDEBOARD

VENDOR CODE (JC19):- JC-1000226		Ax1		C		x8
	2 PERSON			D		x8
	15 MIN	Bx2		E		x1

**1**

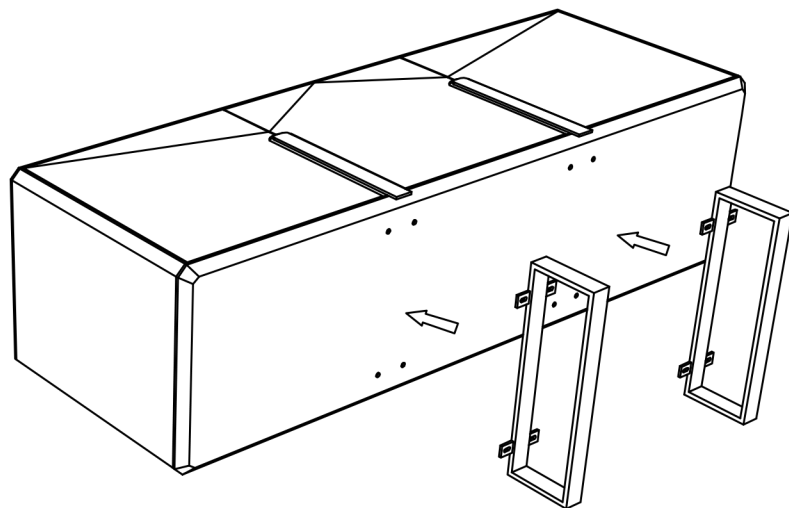


**3**



C+D+E

**2**



A+B

**4**

**ASSEMBLED VIEW**

