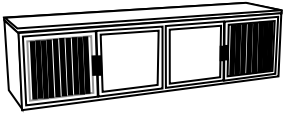
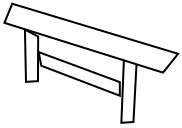




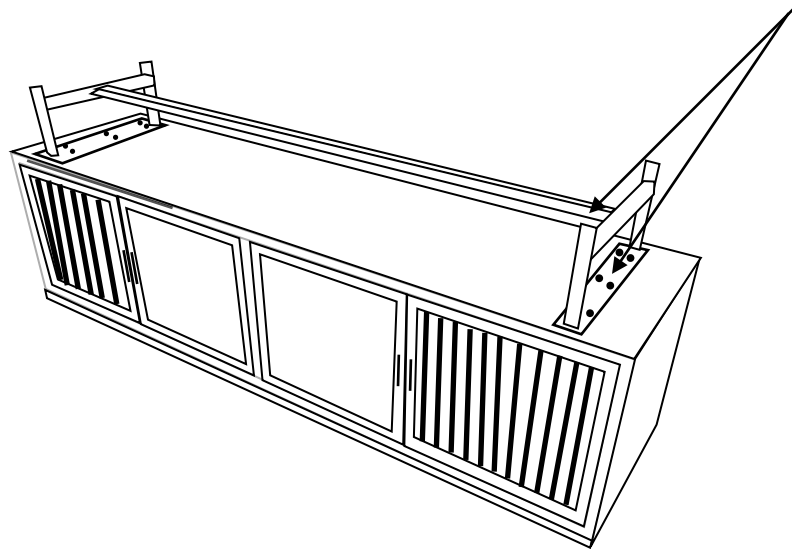


PART LIST & HARDWARE DESCRIPTION-

A. STRUCTURE X 1 	B. LEG X 2 	C. MIDDLE SUPPORT 	D. ALLEN KEY X 1 
E. WASHER X 12 	F. ALLEN BOLT X 14 	(B+C+D+E+F)	

STEP 1

(A)



STEP 2

