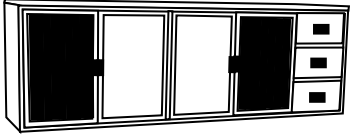
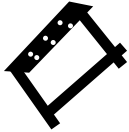




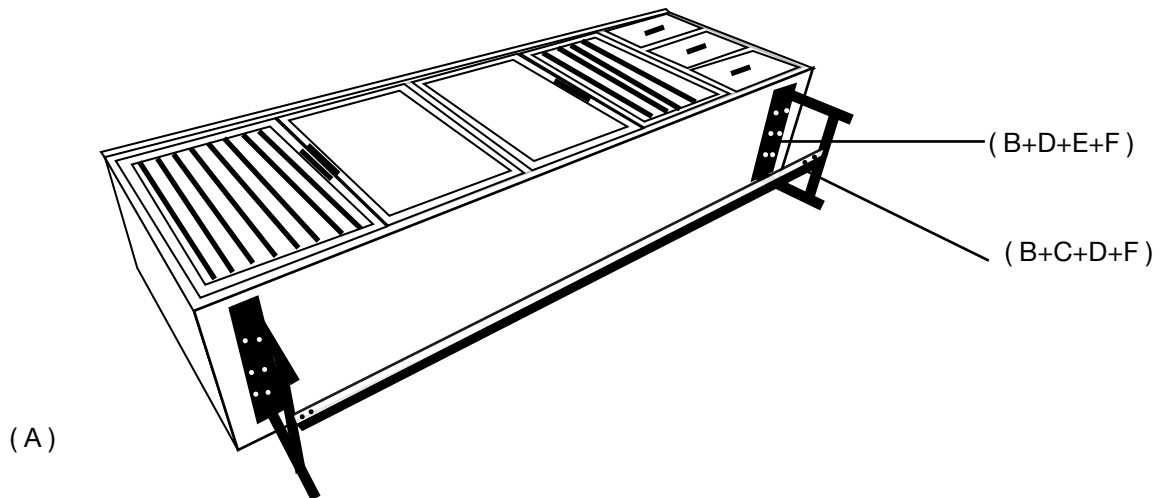


**PART LIST & HARDWARE DESCRIPTION-**

<p><b>A. STRUCTURE X 1</b></p> 	<p><b>B. LEG X 2</b></p> 	<p><b>C. MIDDLE SUPPORT</b></p> 	<p><b>D. ALLEN KEY X 1</b></p> 
<p><b>E. WASHER X 12</b></p> 	<p><b>F. ALLEN BOLT X 14</b></p> 		

STEP 1



STEP 2

