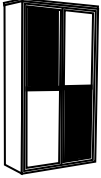
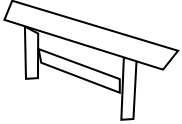




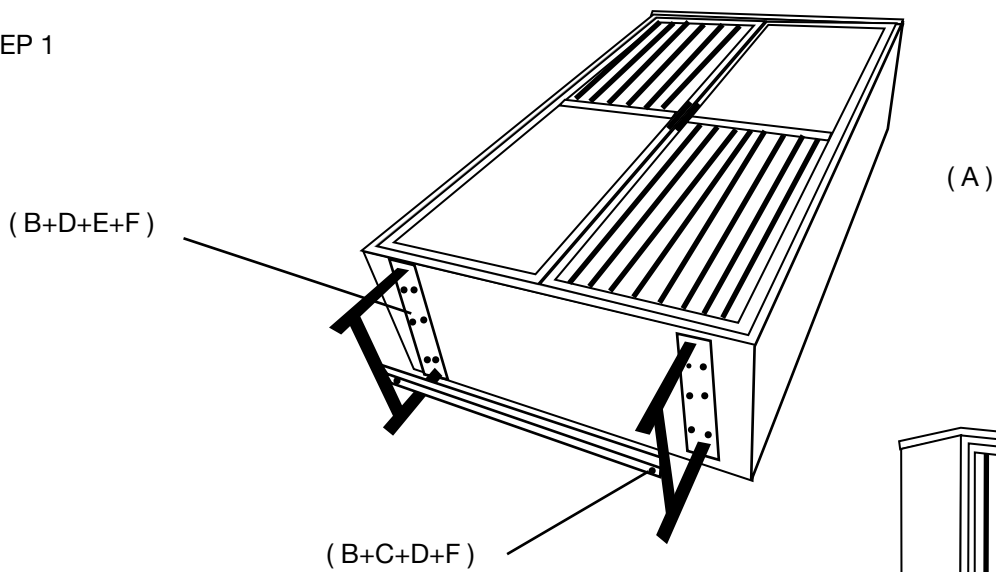


PART LIST & HARDWARE DESCRIPTION-

<p>A. STRUCTURE X 1</p> 	<p>B. LEG X 2</p> 	<p>C. MIDDLE SUPPORT</p> 	<p>D. ALLEN KEY X 1</p> 
<p>E. WASHER X 12</p> 	<p>F. ALLEN BOLT X 14</p> 		

STEP 1



STEP 2

