
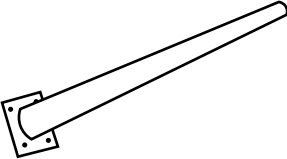





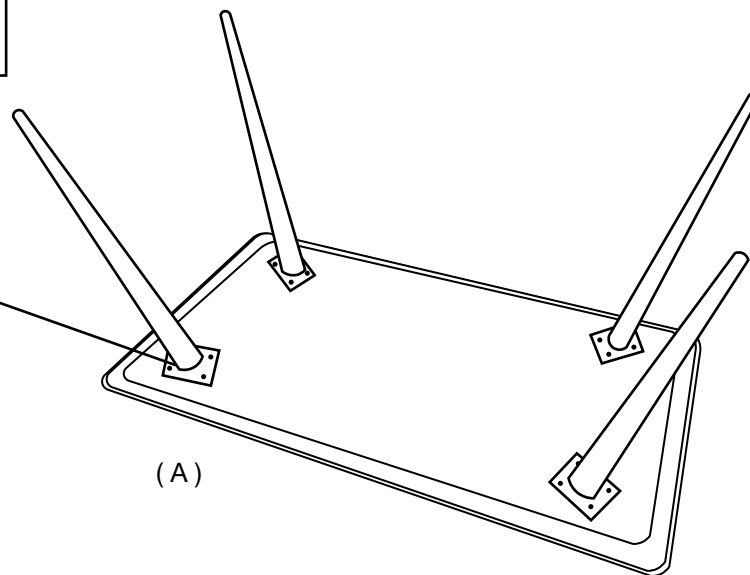
PART LIST & HARDWARE DESCRIPTION-

| | | | |
|--|--|---|--|
| <p>A. TOP X 1</p>  | <p>B. LEG X 4</p>  | <p>C. ALLEN KEY X 1</p>  | <p>D. ALLEN BOLT X 16</p>  |
| <p>E. WASHER X 16</p>  | | | |

STEP 1

(B+C+D+E)

(A)



STEP 2

