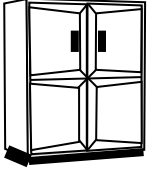

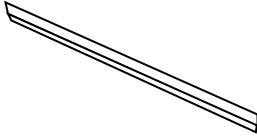

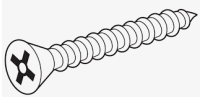


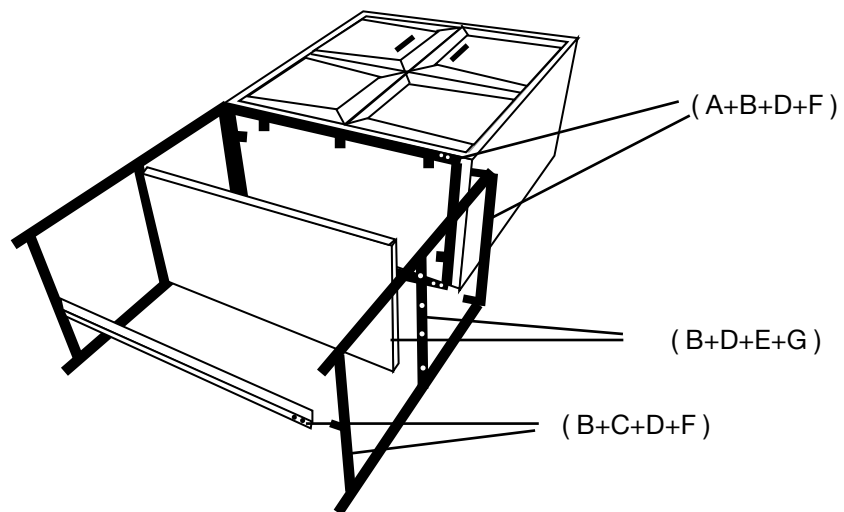


PART LIST & HARDWARE DESCRIPTION-

<p>A. STRUCTURE X 1</p> 	<p>B. LEG X 2</p> 	<p>C. MIDDLE SUPPORT</p> 	<p>D. ALLEN KEY X 1</p> 
<p>E. SCREW X 6</p> 	<p>F. ALLEN BOLT X 12</p> 	<p>G. SHELF X 1</p> 	

STEP 2



STEP 2

