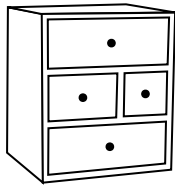
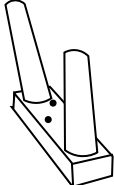


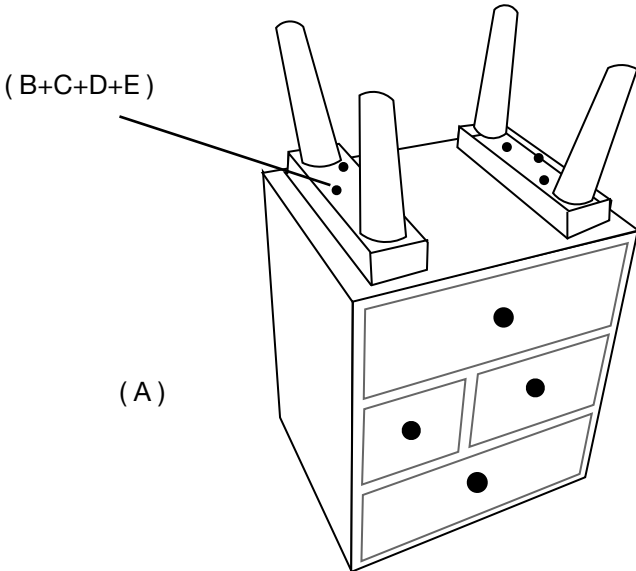



PART LIST & HARDWARE DESCRIPTION-

<p>A. STRUCTURE X 1</p> 	<p>B. LEG X 2</p> 	<p>C. ALLEN KEY X 1</p> 	<p>D. ALLEN BOLT X 6</p> 
 <p>(B+C+D+E)</p> <p>(A)</p>			<p>E. WASHER X 6</p> 

STEP 1

STEP 2

