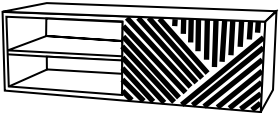
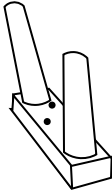





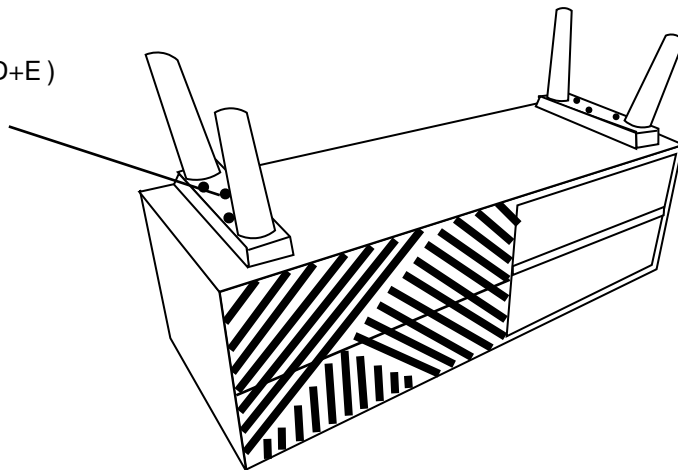
PART LIST & HARDWARE DESCRIPTION-

<p>A. STRUCTURE X 1</p> 	<p>B. LEG X 2</p> 	<p>C. ALLEN KEY X 1</p> 	<p>D. ALLEN BOLT X 6</p> 
<p>E. WASHER X 6</p> 			

STEP 1

(B+C+D+E)

(A)



STEP 2

