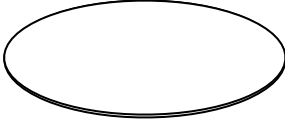
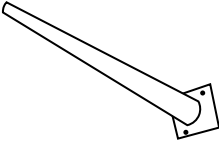




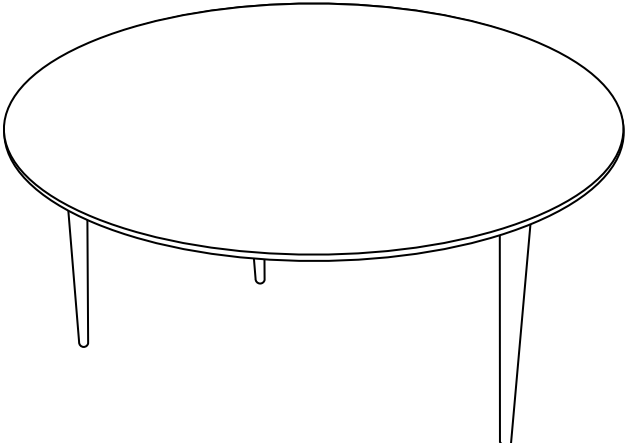
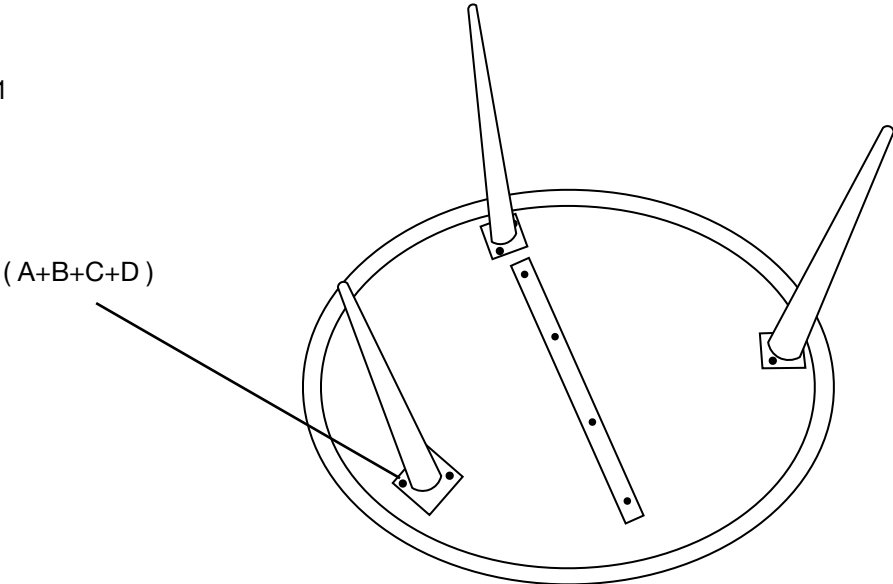


**ASSEMBLY INSTRUCTION
COFFEE TABLE
LELA63**

PART LIST & HARDWARE DESCRIPTION-

A. TOP X 1 	B. LEGS X 3 	C. ALLEN KEY X 1 	D. ALLEN BOLT X 6 
--	---	---	---

STEP 1



STEP 2