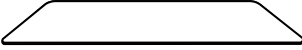
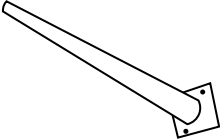


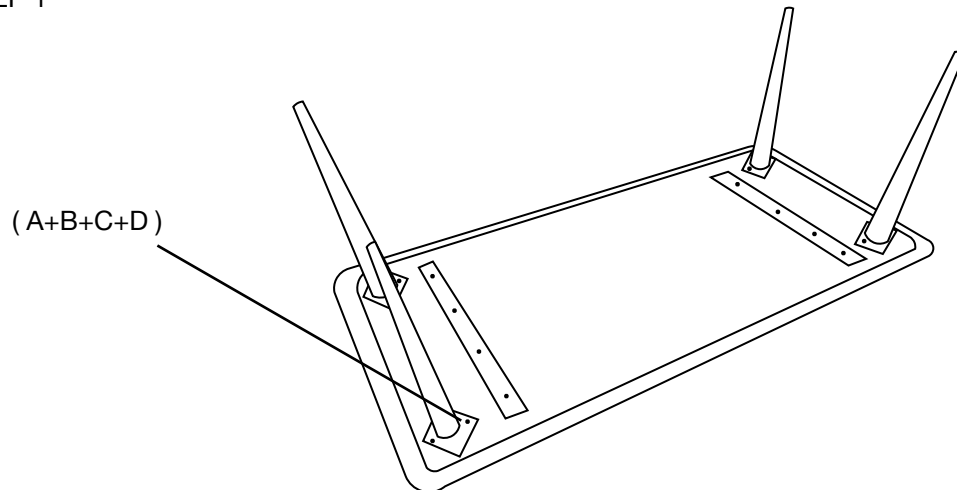


**PART LIST & HARDWARE DESCRIPTION-**

<b>A. TOP X 1</b> 	<b>B. LEGS X 4</b> 	<b>C. ALLEN KEY X 1</b> 	<b>D. ALLEN BOLT X 8</b> 
---	---	---	---

STEP 1



STEP 2

