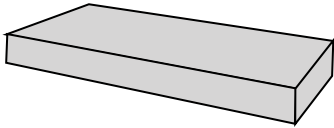
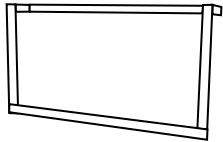


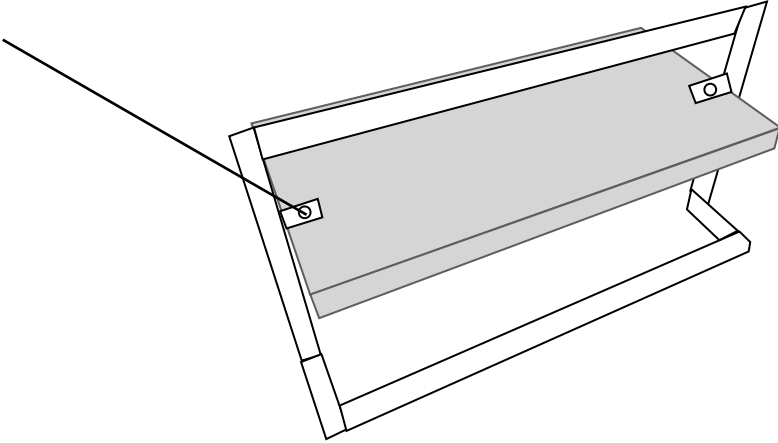


PART LIST & HARDWARE DESCRIPTION-

A. SHELF X 1 	B. FRAME X 1 	C. ALLEN KEY X 1 	D. ALLEN BOLT X 2 
STEP 1 (A+B+C+D+E) 			E. WASHER X 2 