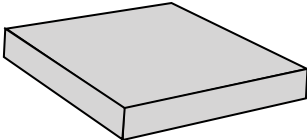



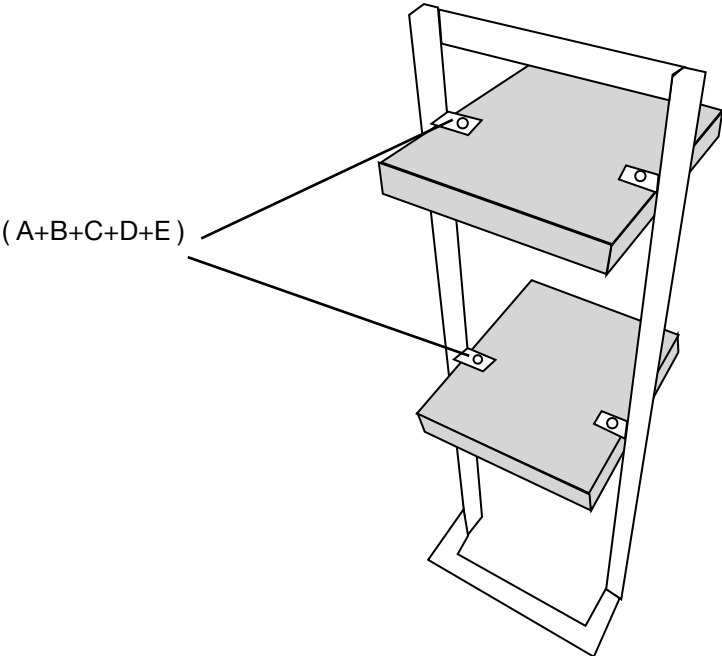



PART LIST & HARDWARE DESCRIPTION-

A. SHELF X 2 	B. FRAME X 1 	C. ALLEN KEY X 1 	D. ALLEN BOLT X 4 
STEP 1 <p>(A+B+C+D+E)</p> 			E. WASHER X 4 

STEP 2

