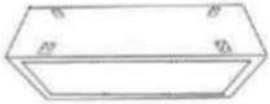








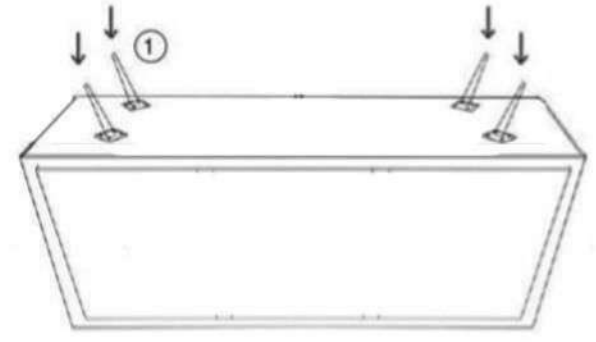
# ASSEMBLY INSTRUCTION MIND02

S No.	Name of Component	Qty.
(A)	Carcass / Body 	1
(1)	Legs 	4
(2)	Bolts 	16
(3)	Spanner 	1
(4)	Bracket 	2
(5)	Tie 	2
(6)	Screw Ø4 X 20 	4



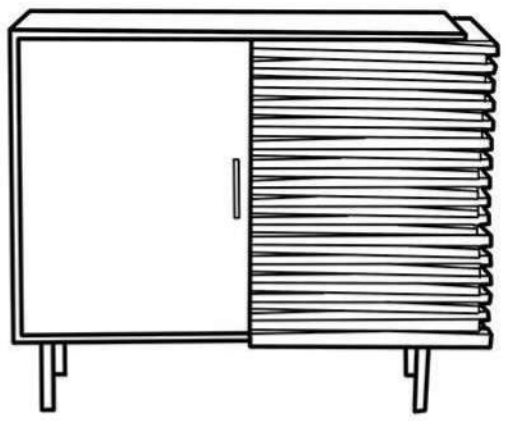
(A)

STEP 1

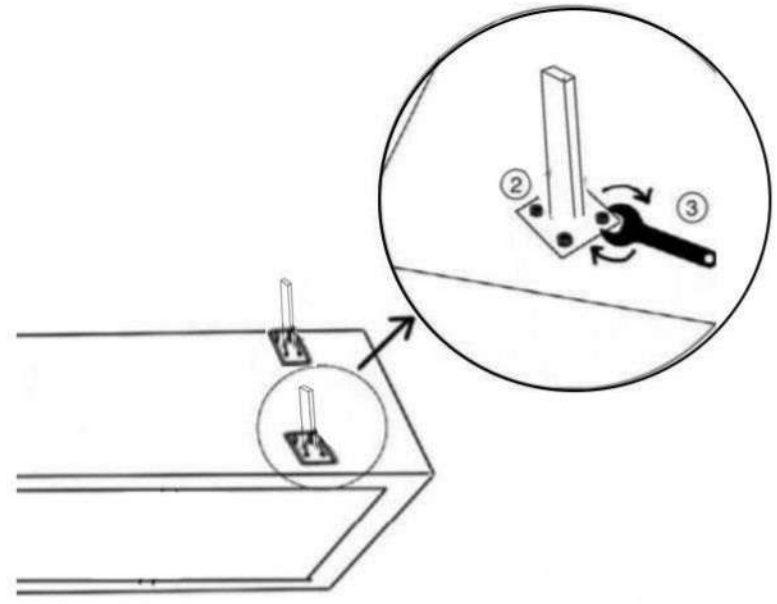


(A)

STEP 2

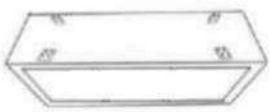








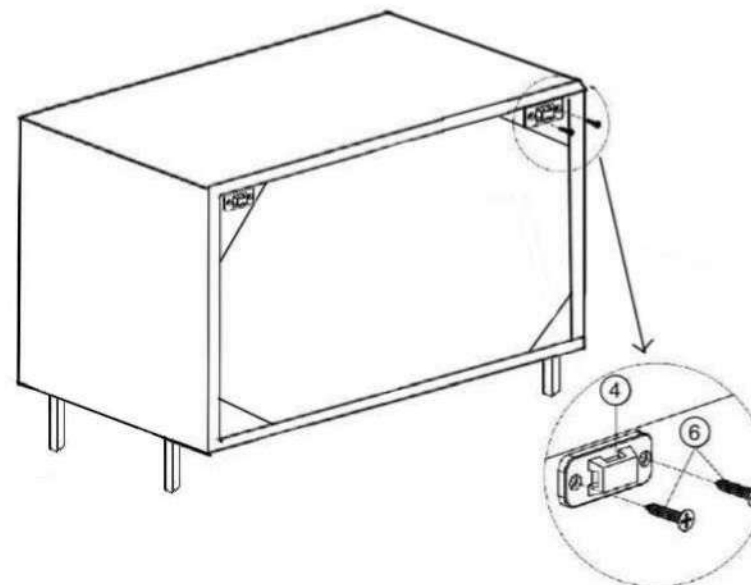
FINAL PRODUCT (FRONT VIEW)



STEP 3

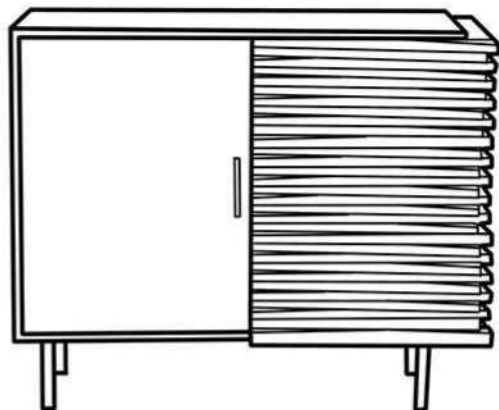
# ASSEMBLY INSTRUCTION MIND02

S No.	Name of Component	Qty.
(A)	Carcass / Body 	1
(1)	Legs 	4
(2)	Bolts 	16
(3)	Spanner 	1
(4)	Bracket 	2
(5)	Tie 	2
(6)	Screw Ø4 X 20 	4

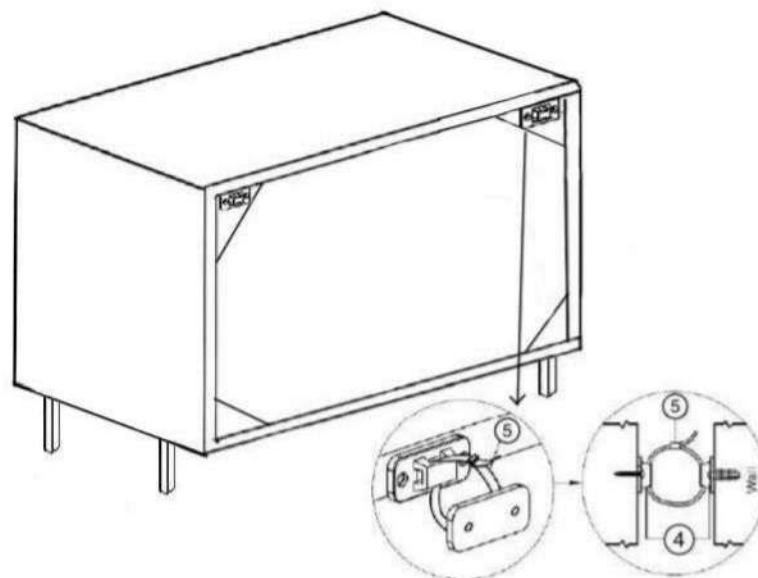


STEP 5

BACK VIEW



FINAL PRODUCT (FRONT VIEW)



FINAL

BACK VIEW