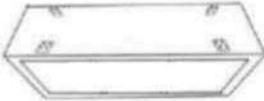






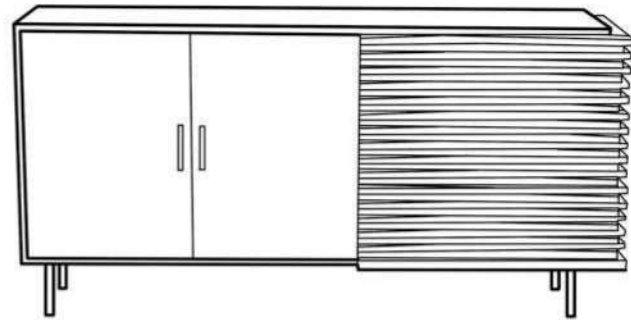
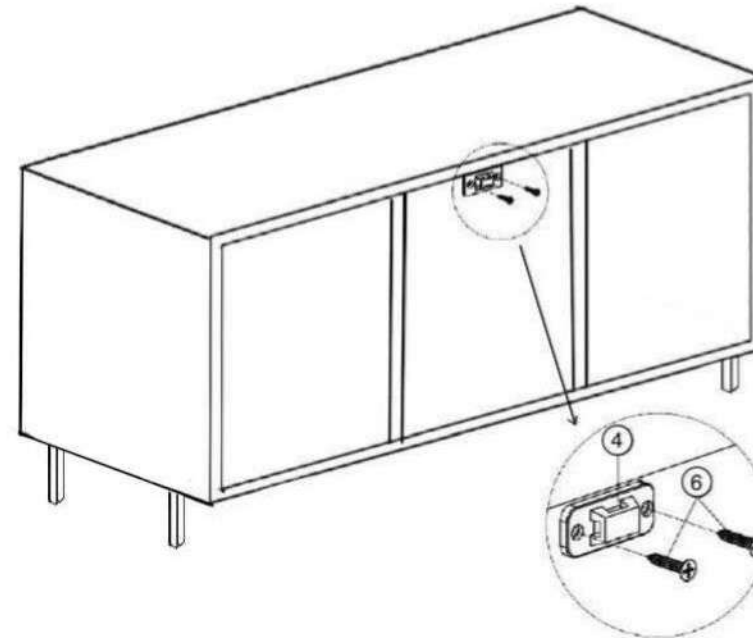


ASSEMBLY INSTRUCTION MIND03

S No.	Name of Component	Qty.
(A)	Carcass / Body 	1
(1)	Legs 	4
(2)	Bolts 	16
(3)	Spanner 	1
(4)	Bracket 	1
(5)	Tie 	1
(6)	Screw $\varnothing 4 \times 20$ 	2

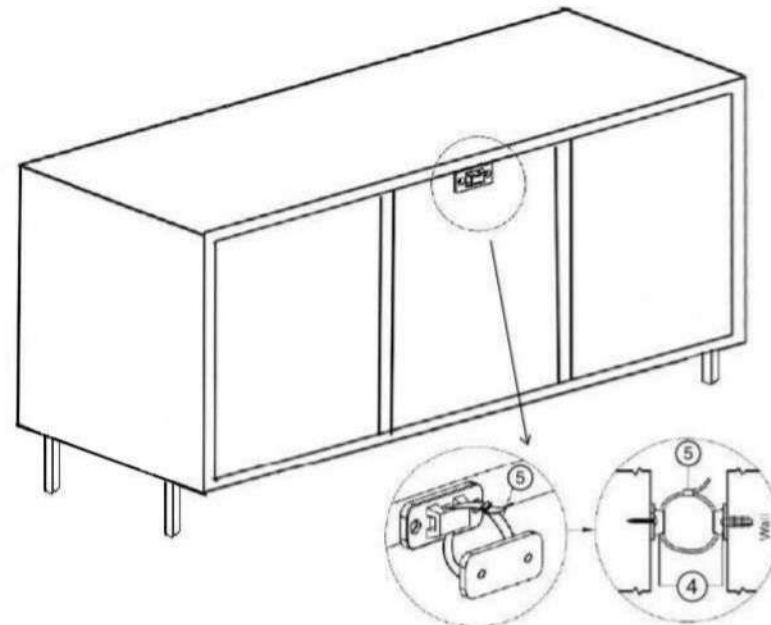


FINAL PRODUCT (FRONT VIEW)



STEP 5

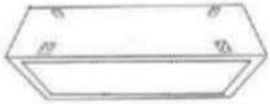






BACK VIEW



FINAL

BACK VIEW

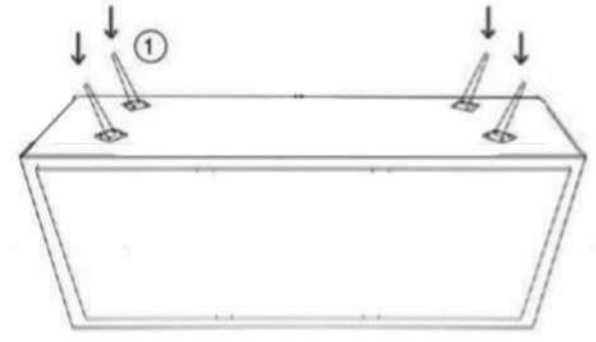
ASSEMBLY INSTRUCTION MIND03

S No.	Name of Component	Qty.
(A)	Carcass / Body 	1
(1)	Legs 	4
(2)	Bolts 	16
(3)	Spanner 	1
(4)	Bracket 	1
(5)	Tie 	1
(6)	Screw Ø4 X 20 	2



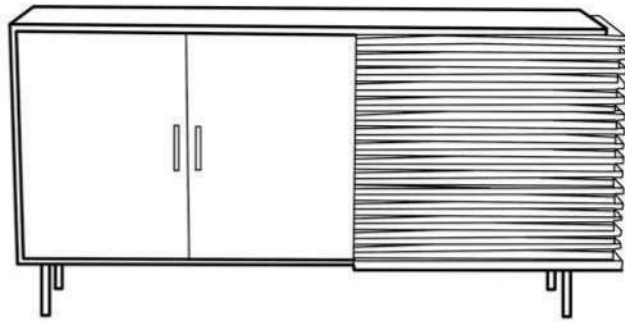
(A)

STEP 1

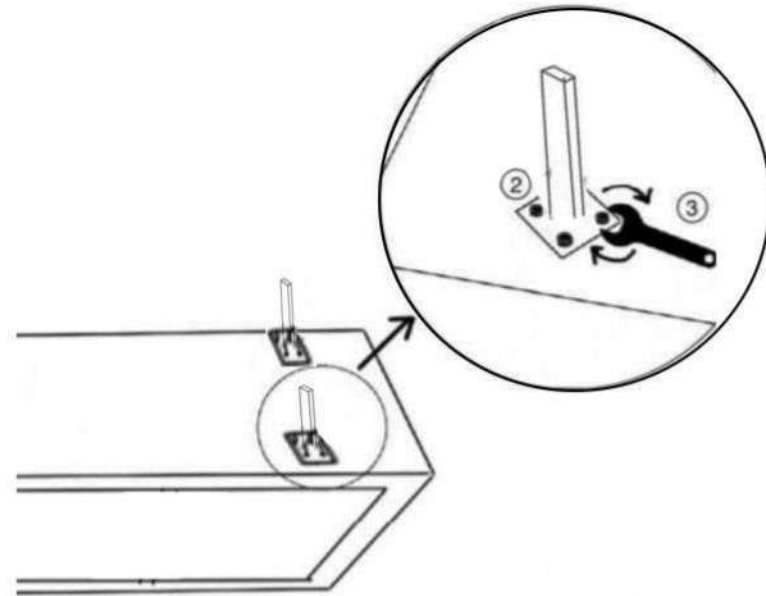


(A)

STEP 2



FINAL PRODUCT (FRONT VIEW)



STEP 3