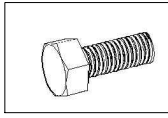


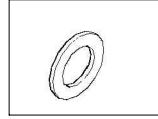
ASSEMBLY INSTRUCTIONS

Kit Contents:-

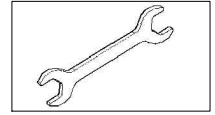
1. Bolts-13Pc.
20 X 8mm



2. Washer-13Pc.
8mm



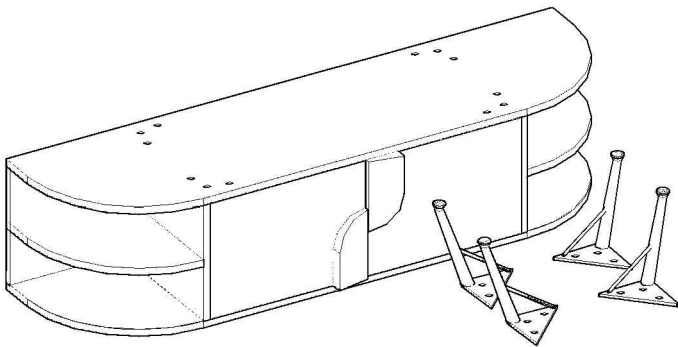
3. Spanner-1Pc.
12-13no.



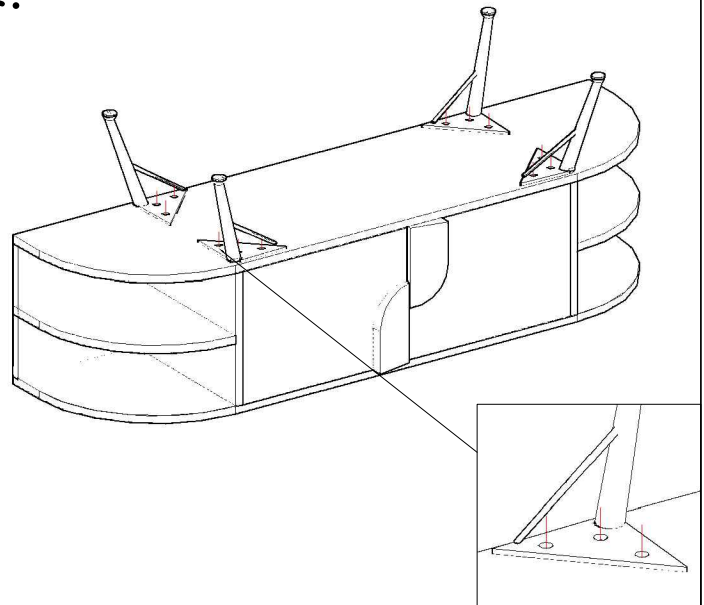
Instructions:-

1. Put the TV Cabinet upside down on a protective surface with legs.
2. Match the holes on the TV Cabinet leg with fasteners on the bottom of the TV Cabinet (See image 2).
3. Secure using bolts, washers & spanner provided. (See image 3)
4. Turn the TV Cabinet upright and Now TV Cabinet is ready to use.

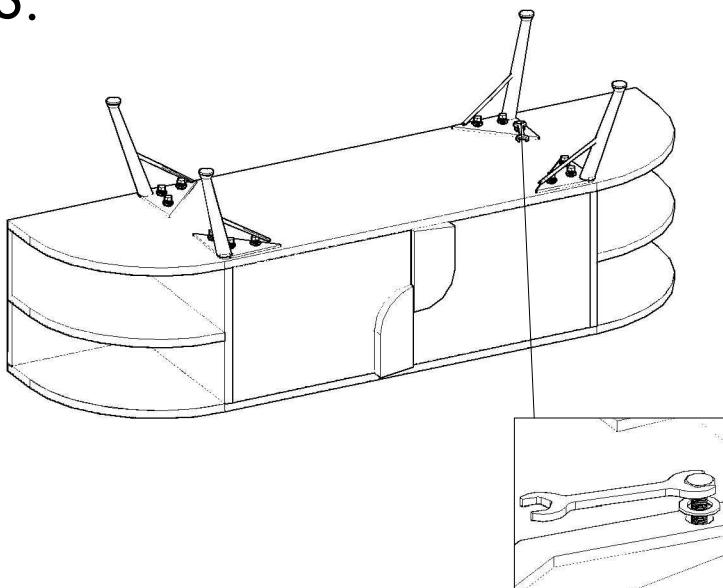
1.



2.



3.



4.

