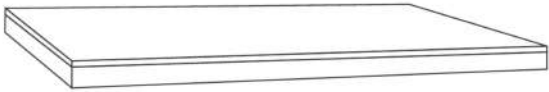
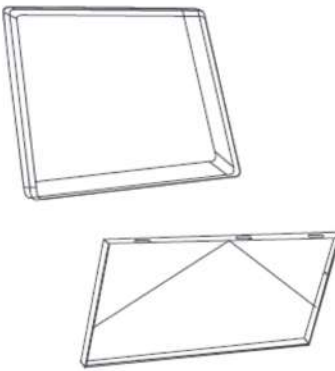



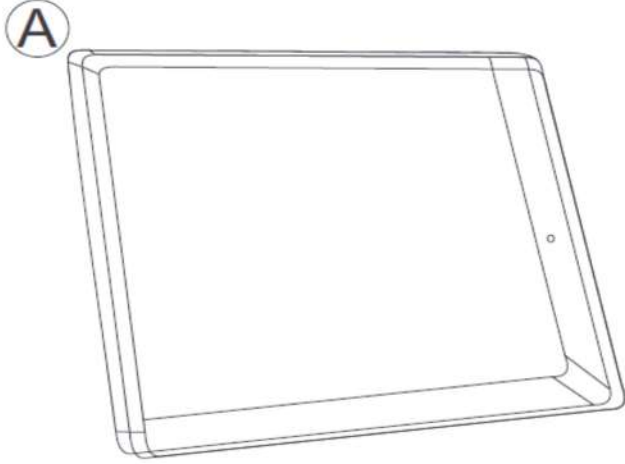


ASSEMBLY INSTRUCTION

NE-288 

<p>①</p>  <p>X1</p>	<p>②</p>  <p>X2</p>	<p>③</p>  <p>35MM X2</p>  <p>25MM X6</p> <p>④</p>  <p>X1</p>
---	---	---

STEP 1



STEP 2

