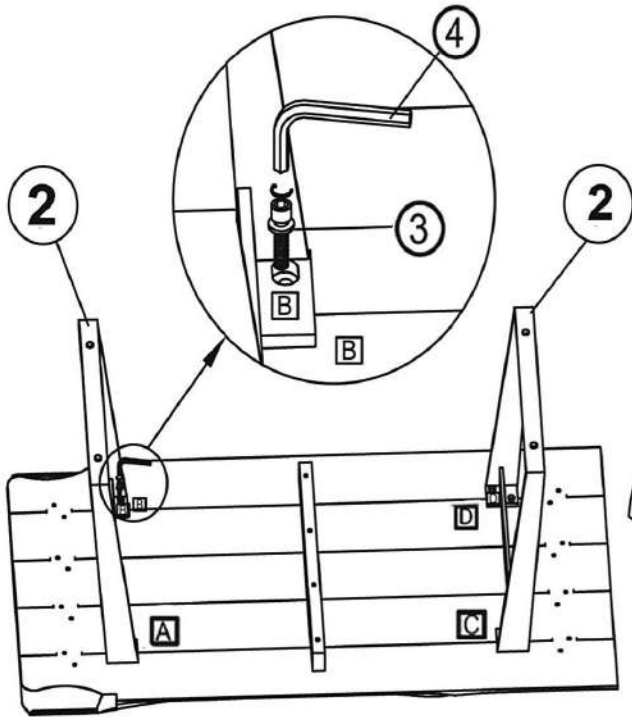
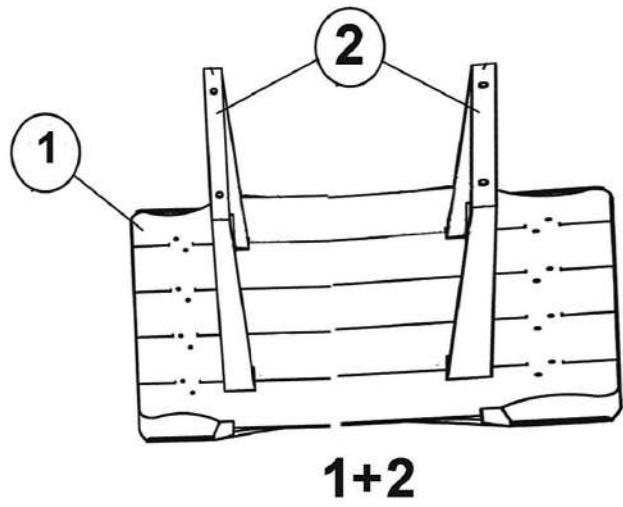
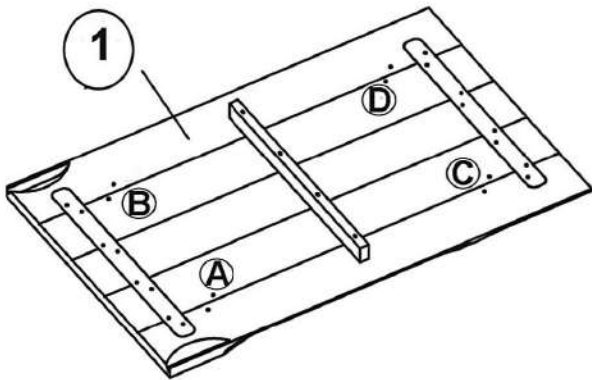


ASSEMBLY INSTRUCTION

NE-733



<p>①</p> <p>X1</p>	<p>②</p> <p>X2</p>	<p>③</p> <p>8x25mm X 8 25mm X 8</p> <p>④</p> <p>5MM X1</p>
--------------------	--------------------	---



1+2+3+4
A+A, B+B, C+C, D+D

