

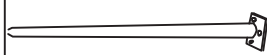
Ax1pc



Bx2PCS



Cx2PCS



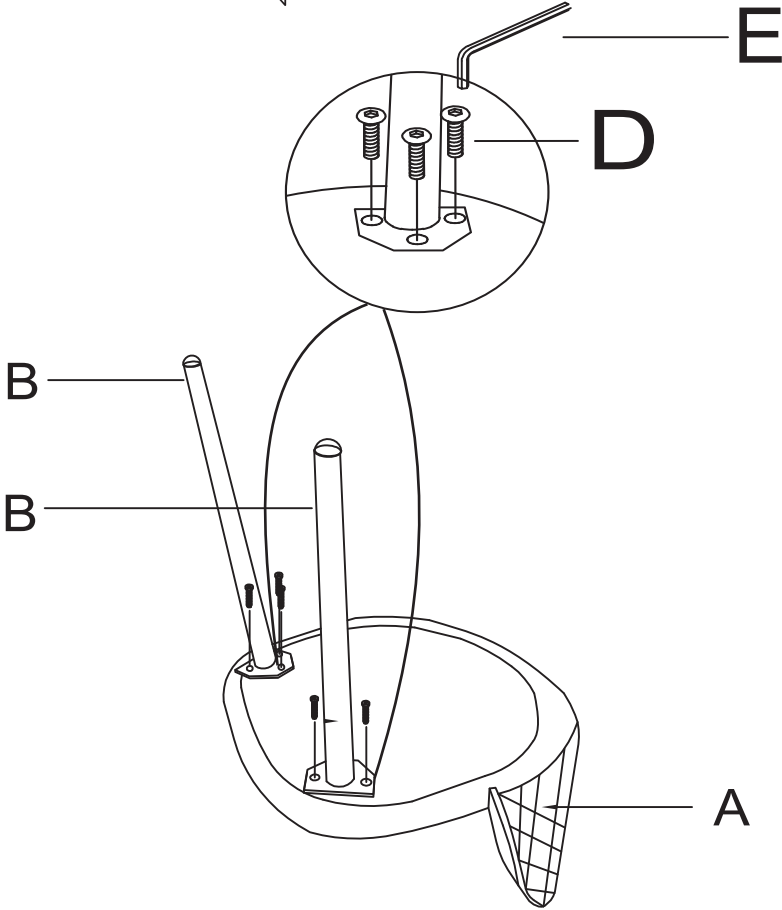
Dx12PCS



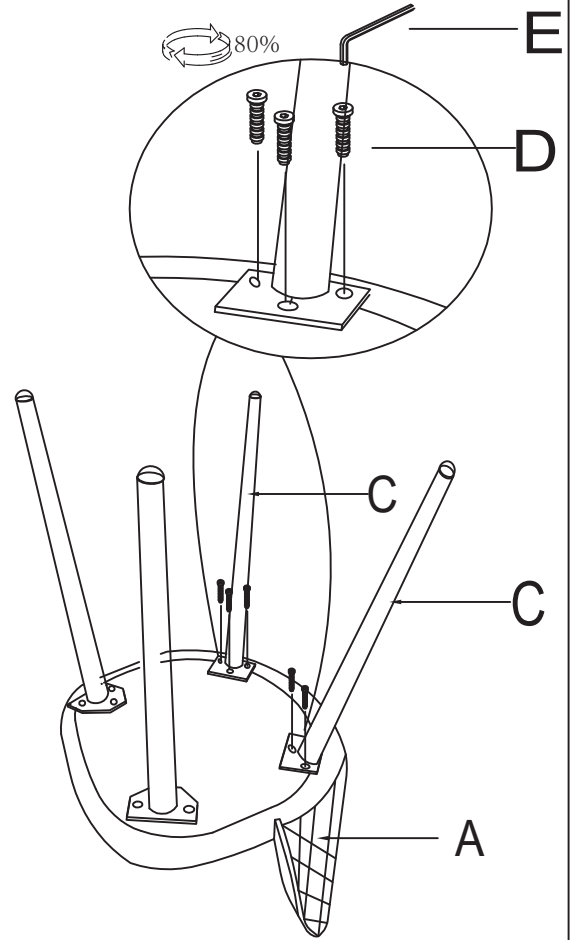
Ex1PCS



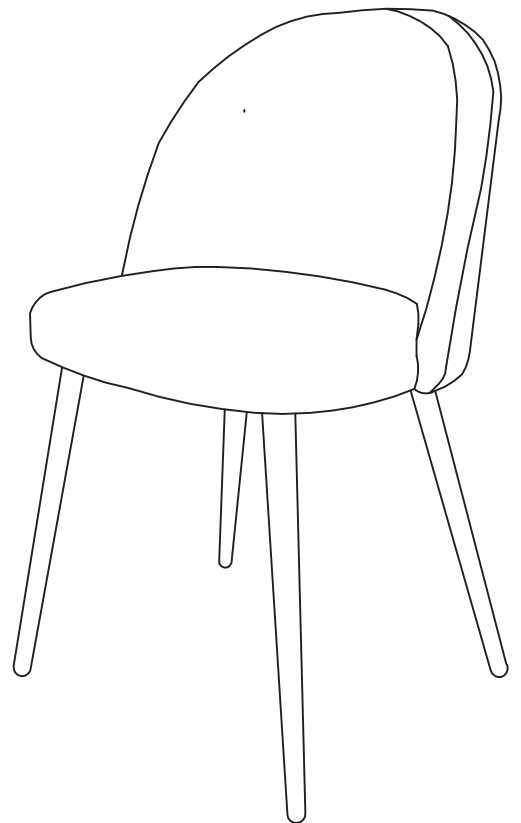
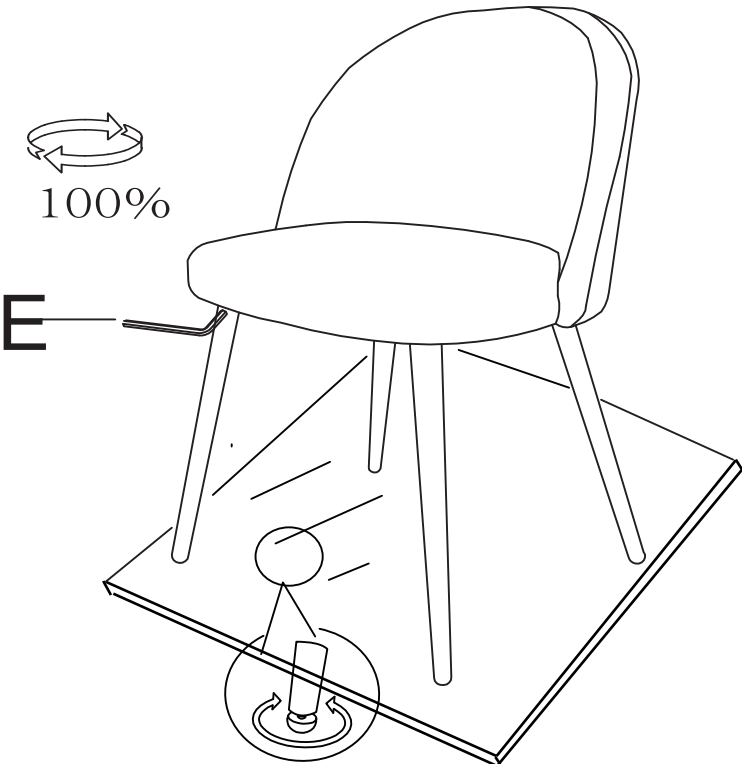
80%



80%



100%



FASTEN/LOOSE THE PAD TO MAKE IT EVEN IF NEEDED