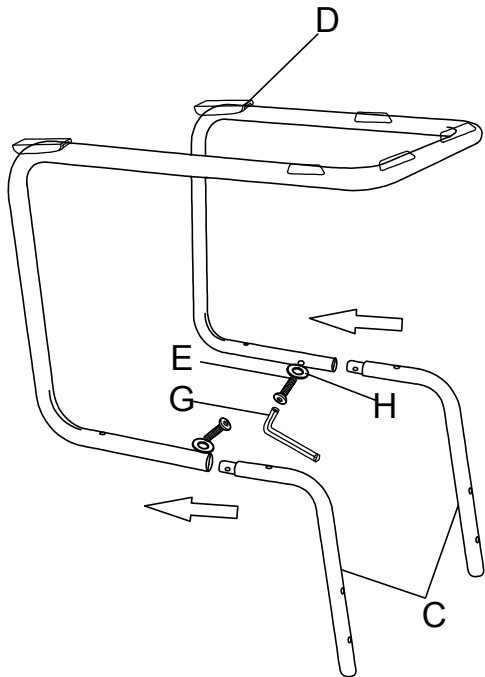
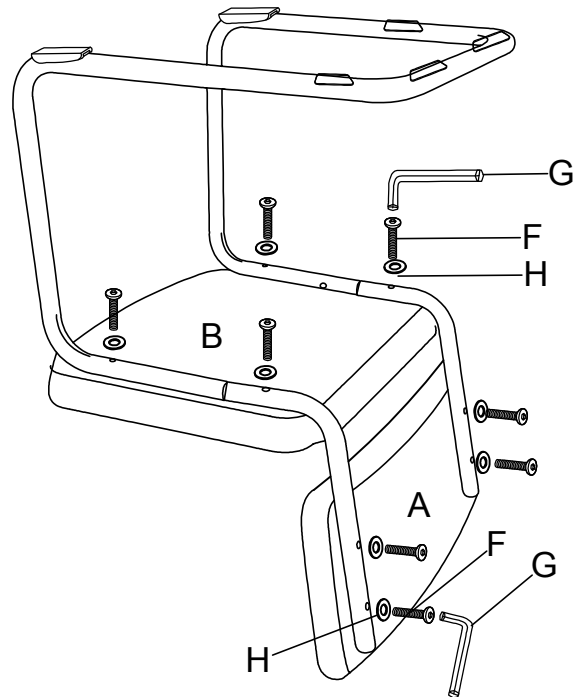


ASSEMBLY INSTRUCTION

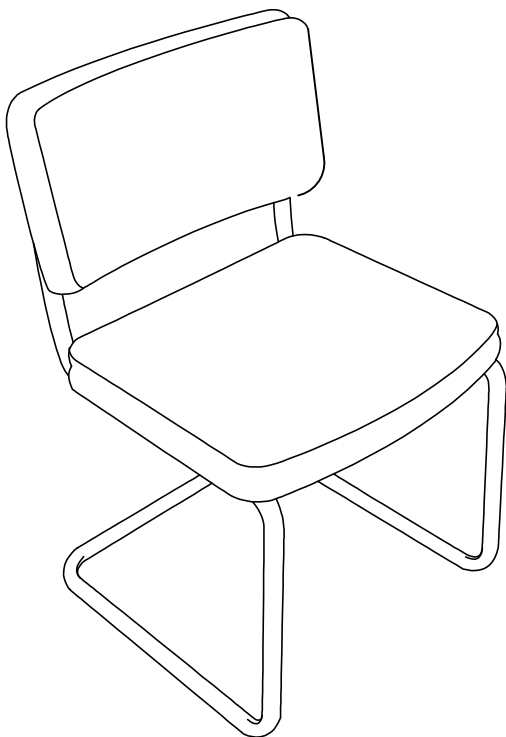
1

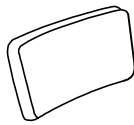

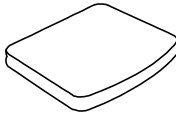


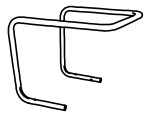

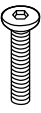


2



3



A		X1	G		X1
B		X1	H		X10
C		X2			
D		X1			
E		X2			
F		X8			