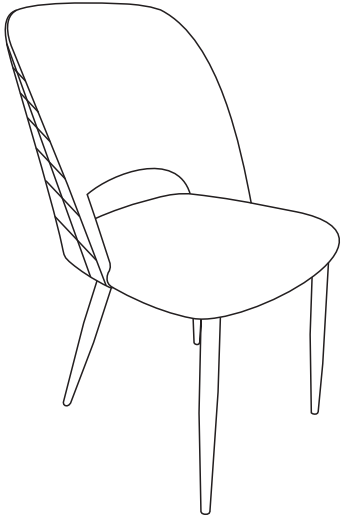
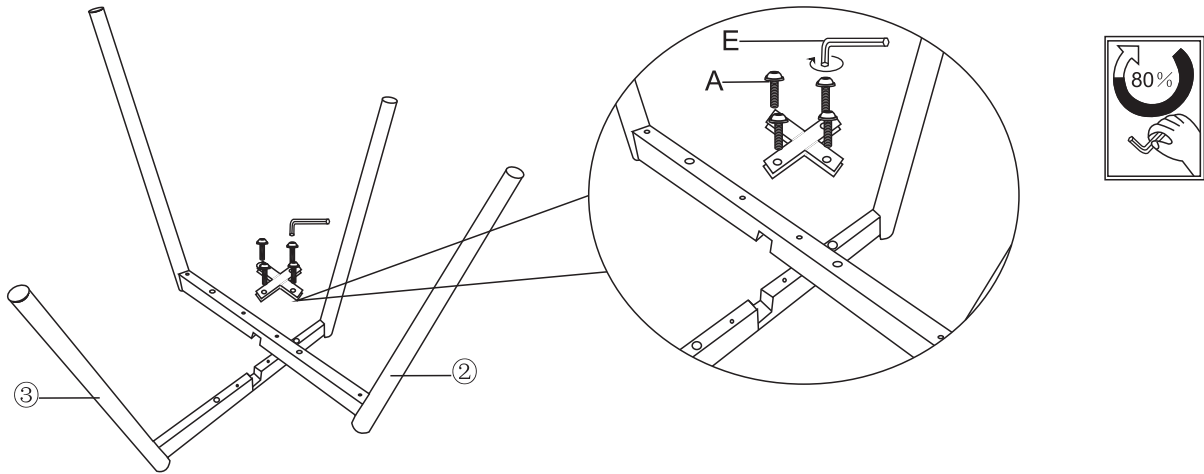


# ASSEMBLY INSTRUCTIONS

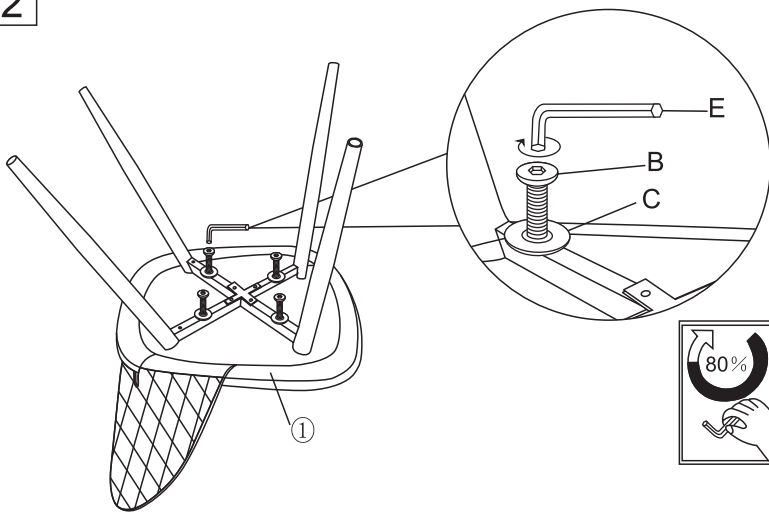


		①×1 	②×1 	③×1 
A×4  M6×13mm	B×4  M6×45mm	C×4  φ6×φ18×1.5mm	D×1 	E×1  5mm

1

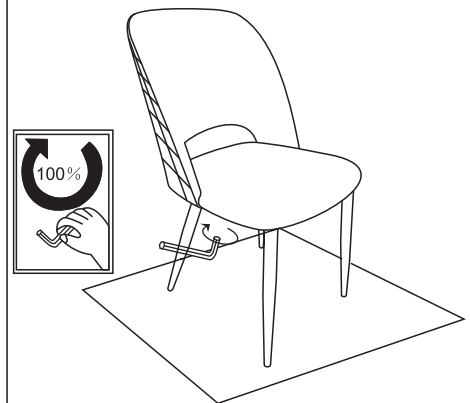


2



3

Put the chair onto flat place, fully tight all the screws after well adjusted flatness of the chair.



Make sure all legs are screwed tightly before turn it over. Please tighten the screws after about 6 months of use. The screw of Chair may become loose after used for a long time. It is belong to normal phenomenon.