
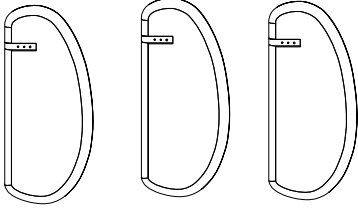
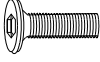




ASSEMBLY INSTRUCTIONS

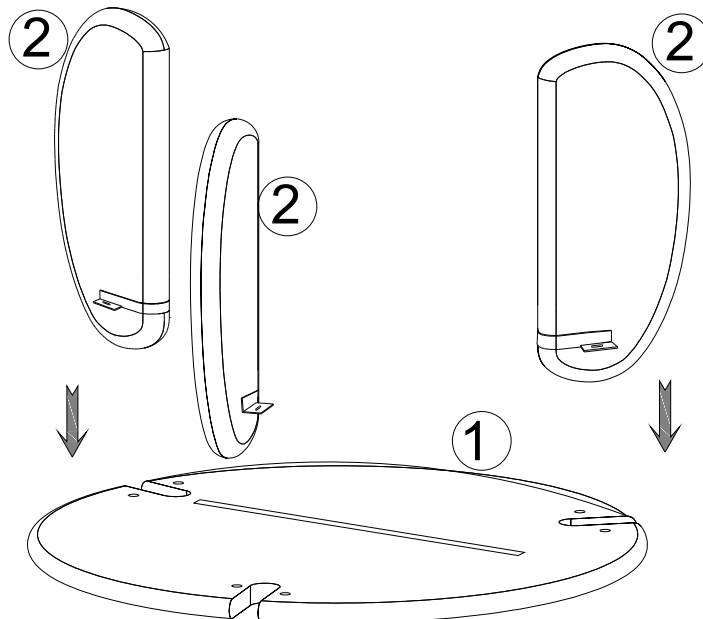
Part List

Label	Picture	Description	Qty.
1.		TOP	1 Pcs.
2.		LEG	3 Pcs.

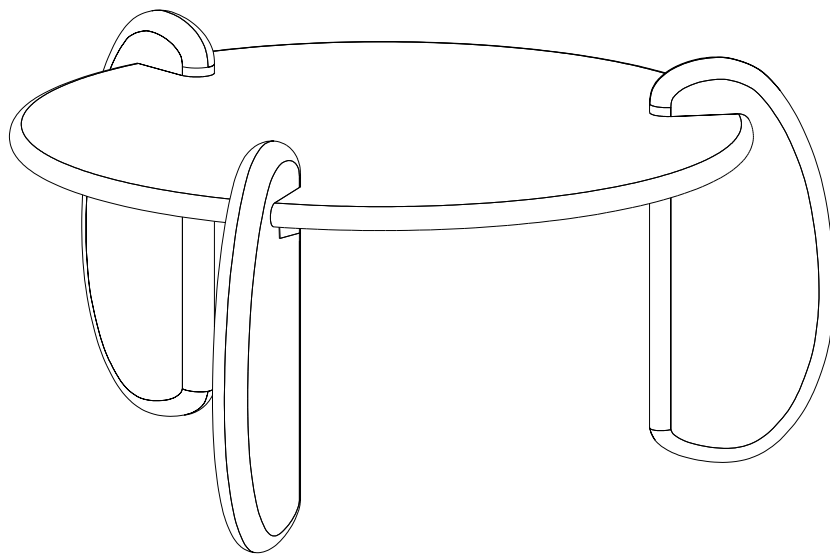
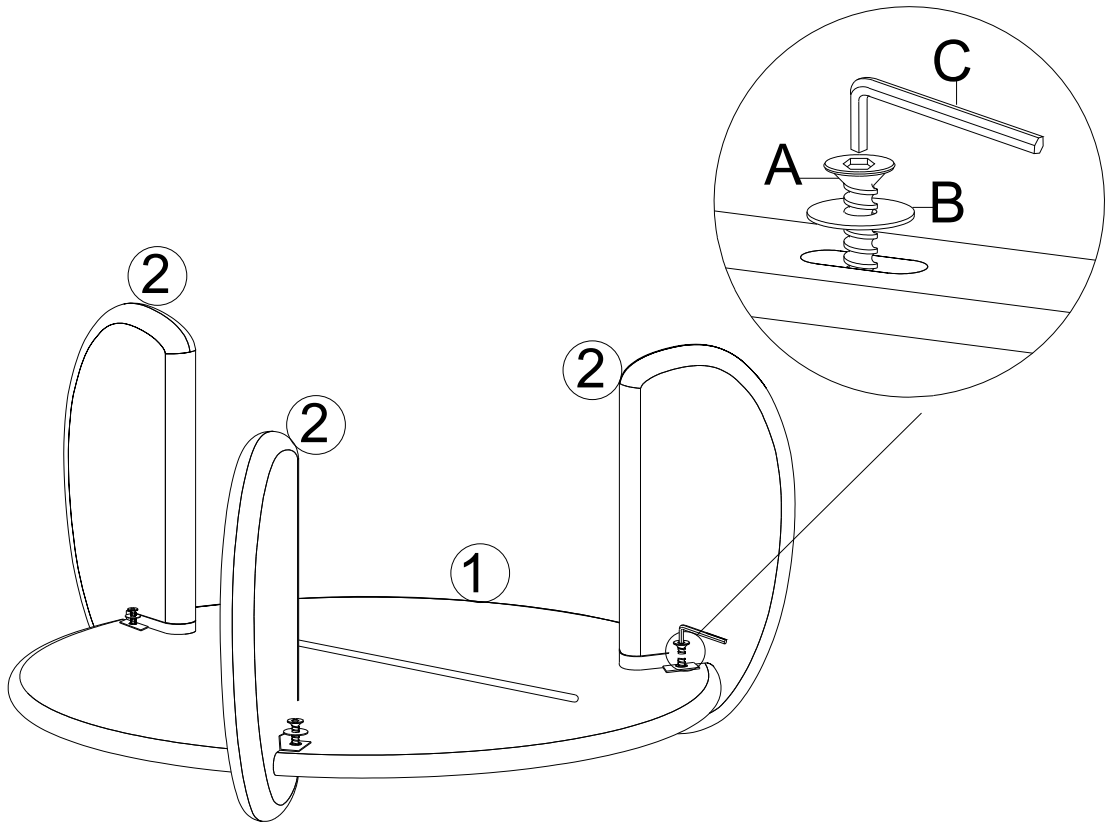
HARDWARE LIST :

Label	Picture	Description	Qty.
A		ALLEN BOLT 8 x 16 mm	6 Pcs.
B		WASHER 25 mm	6 Pcs.
C		ALLEN KEY 5 mm	1 Pcs.

STEP-1



STEP-2



COMPLETELY ASSEMBLED