
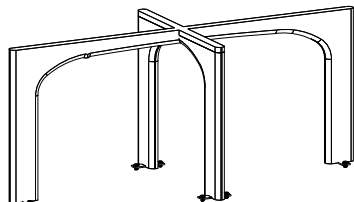
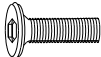




# ASSEMBLY INSTRUCTIONS

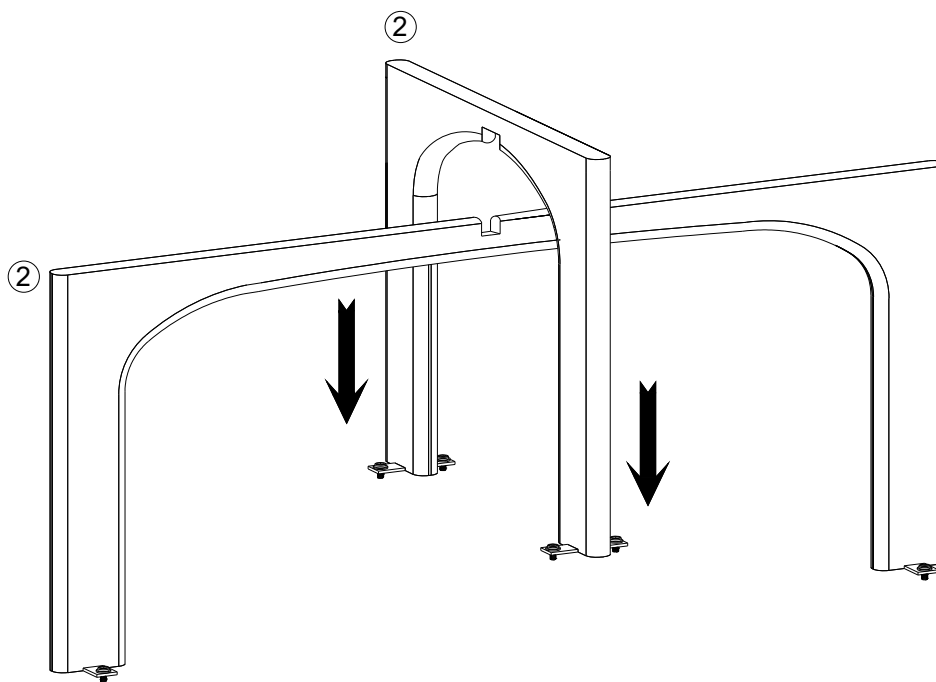
## Part List

Label	Picture	Description	Qty.
1.		TOP	1 Pcs.
2.		LEG	2 Pcs.

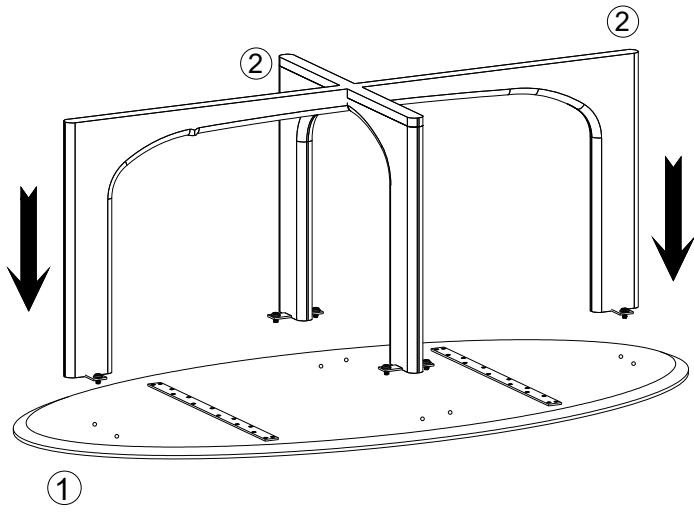
## HARDWARE LIST :

Label	Picture	Description	Qty.
A		ALLEN BOLT 8 x 16 mm	8 Pcs.
B		WASHER 25 mm	8 Pcs.
C		ALLEN KEY 5 mm	1 Pcs.

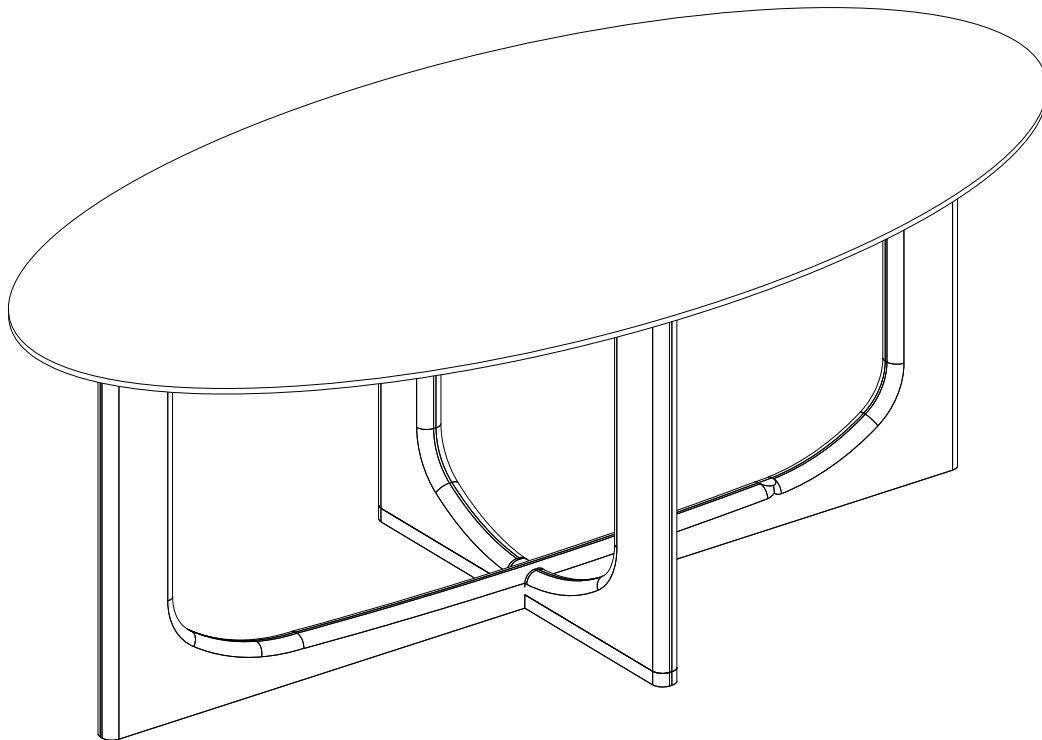
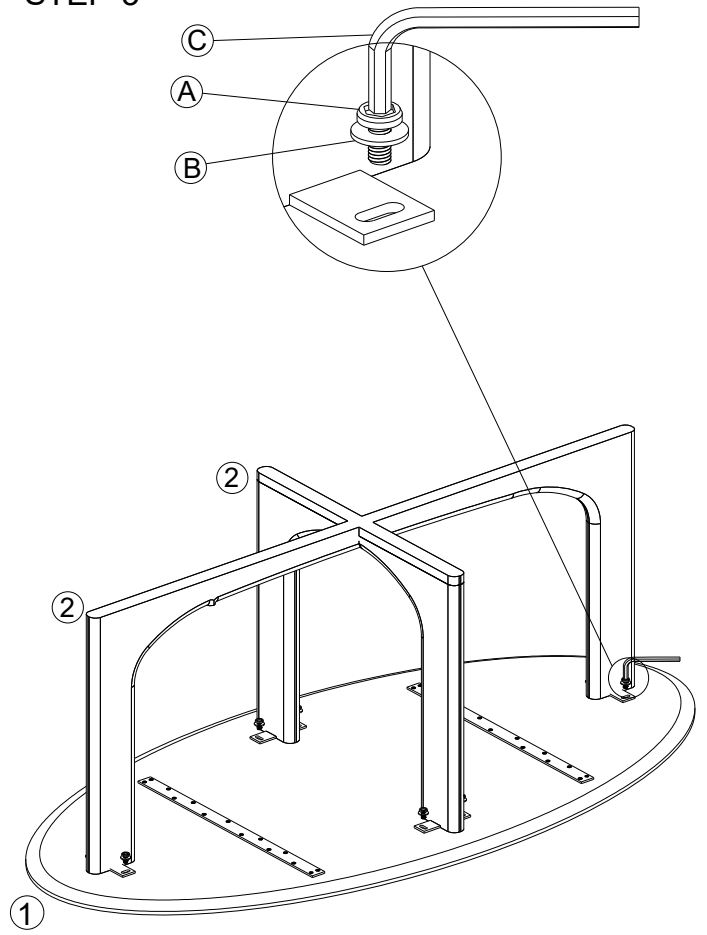
### STEP-1



STEP-2



STEP-3



COMPLETELY ASSEMBLED