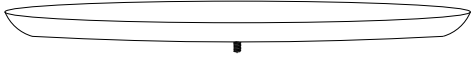
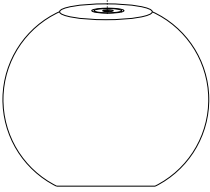


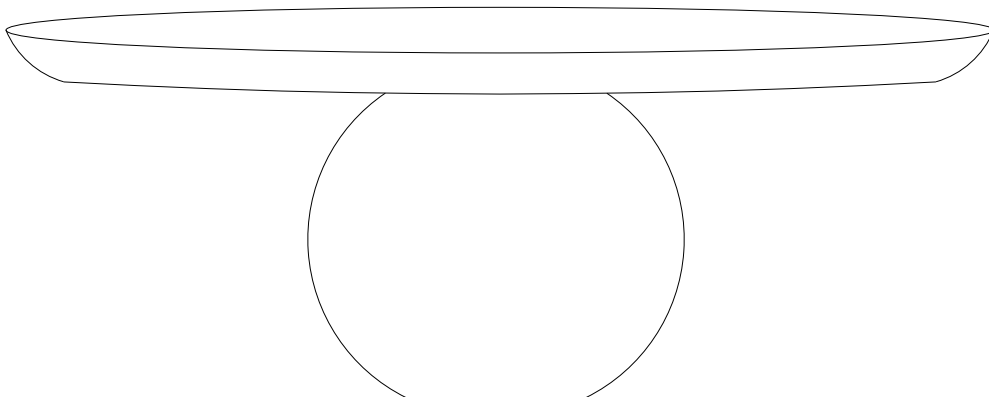
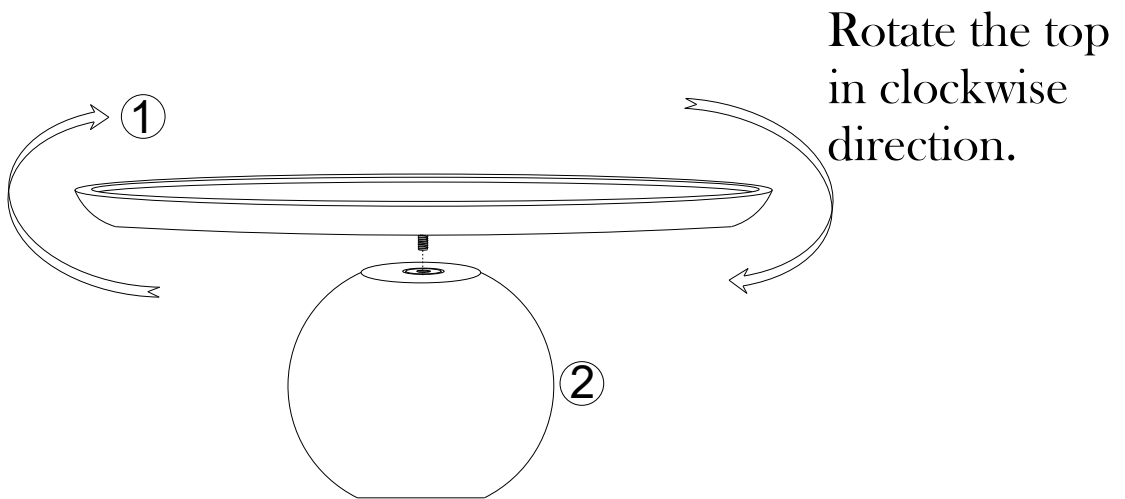
ASSEMBLY INSTRUCTIONS

THE BASE WILL BE KEPT ON FLOOR AND THEN TOP MUST BE FITTED AS PER THE DIRECTIONS SHOWN IN THE INSTRUCTIONS.

Part List

Label	Picture	Description	Qty.
1.		TOP	1 Pc.
2.		LEG	1 Pc.

STEP-1



COMPLETELY ASSEMBLED