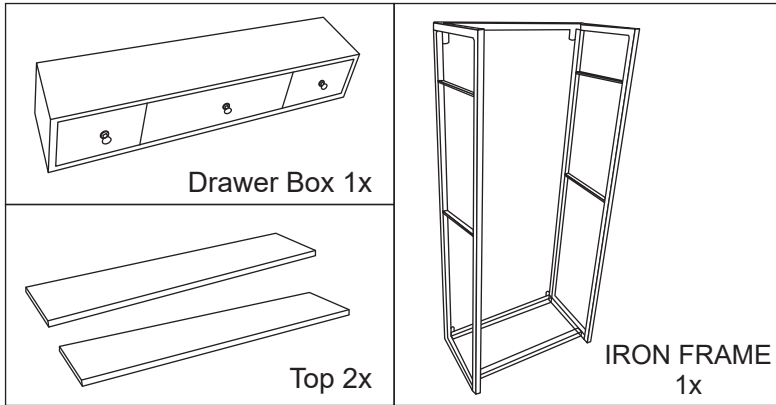


# ASSEMBLY INSTRUCTIONS

## 3 DRAWER WALL HANGING SHELF

### SHR6I

#### COMPONENTS

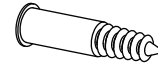


#### HARDWARE & TOOLS

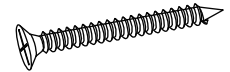
6x20mm



Screw 15x

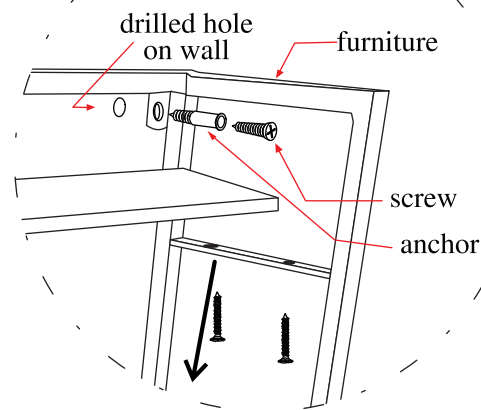


Anchor 4x



Screw 4x 6x25mm

1



2

