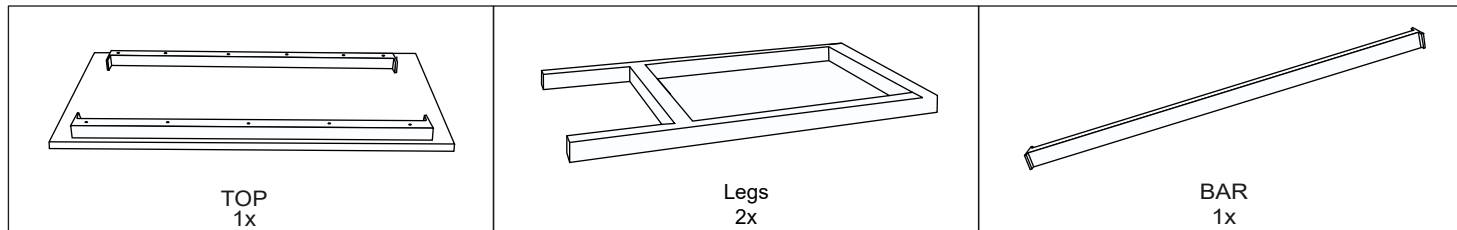


ASSEMBLY INSTRUCTIONS

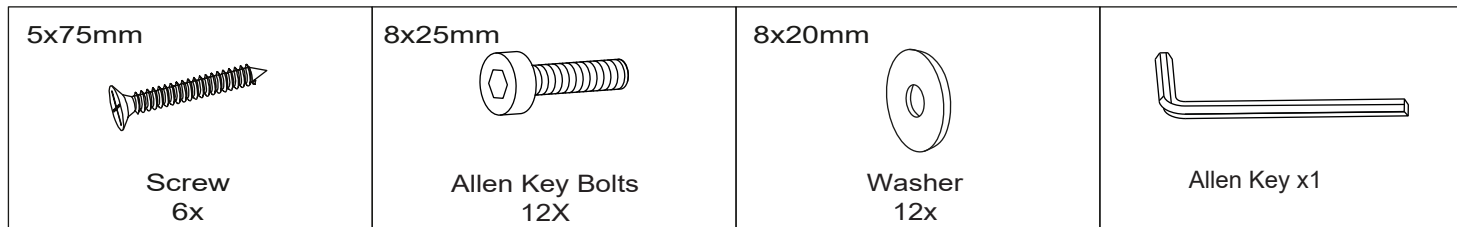
BAR TABLE

SHR66

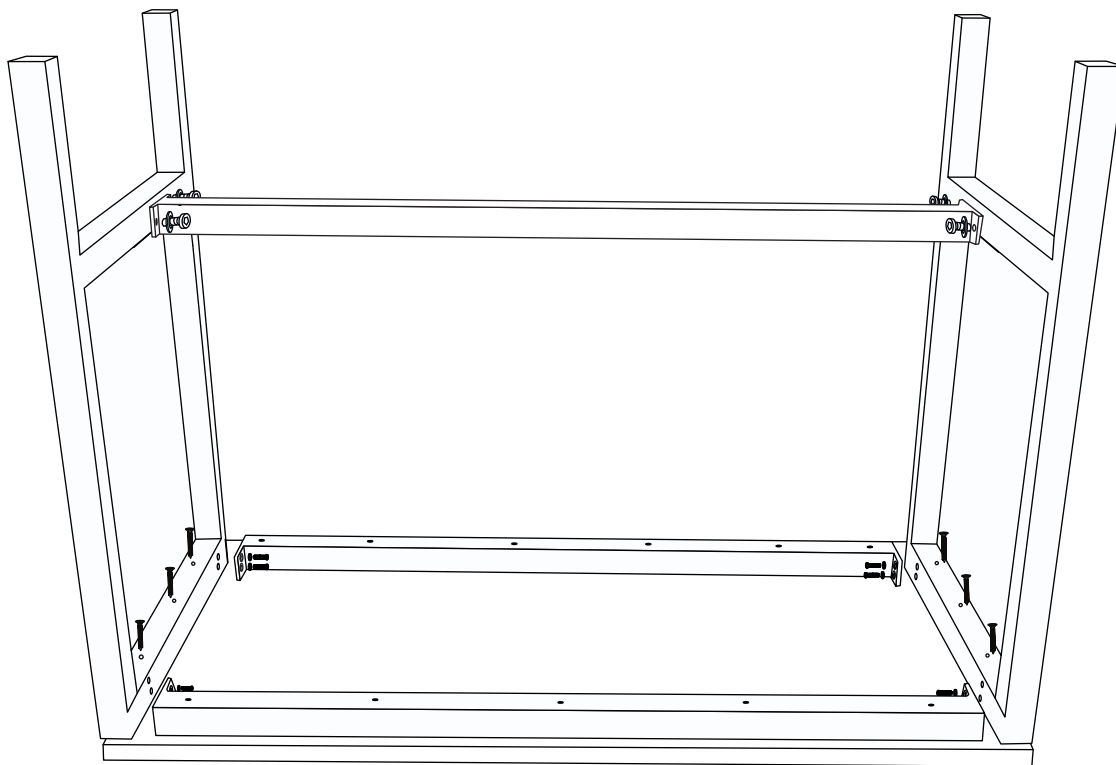
COMPONENTS



HARDWARE & TOOLS



1



2

