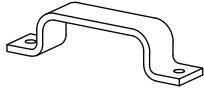
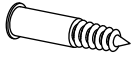



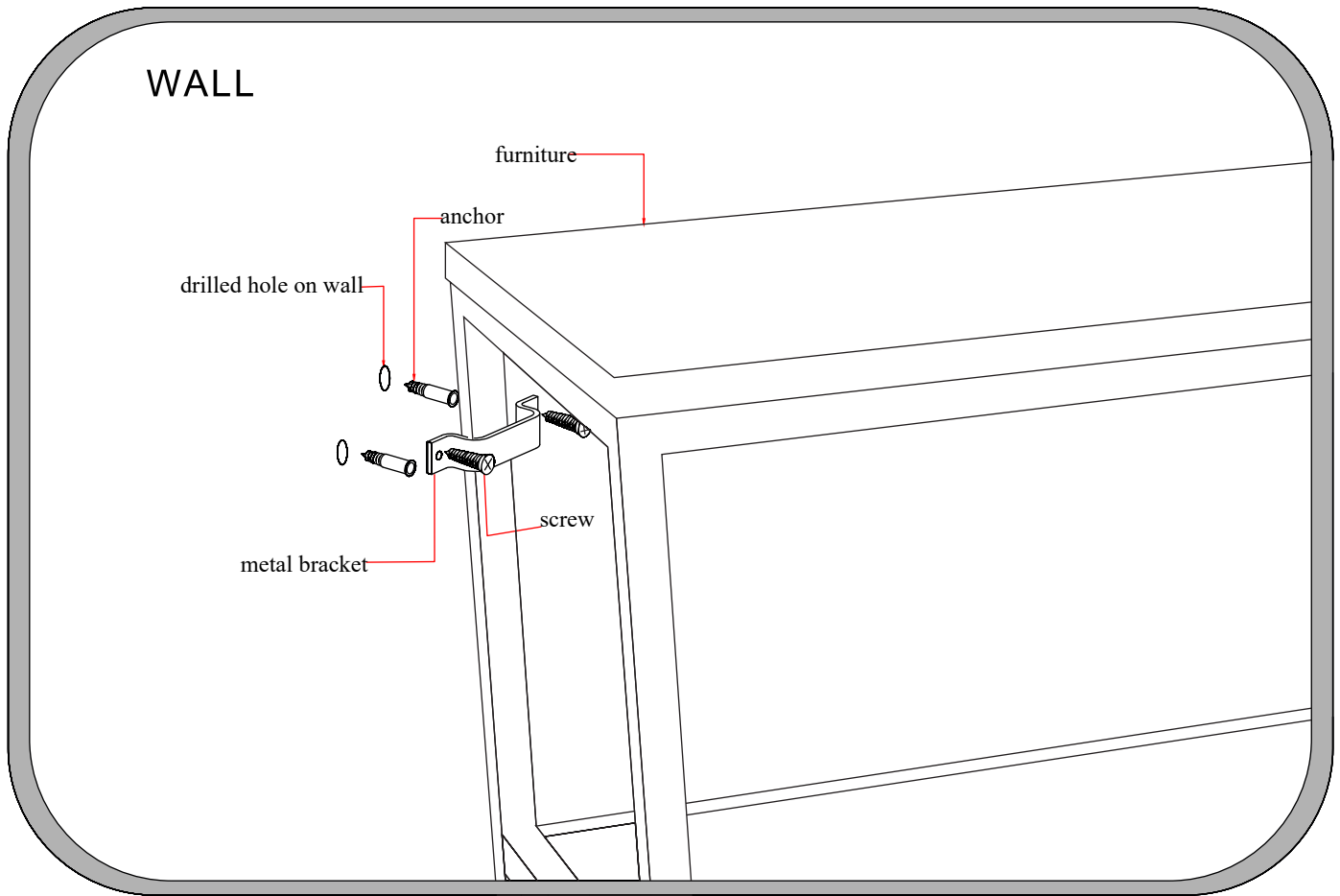
# ASSEMBLY INSTRUCTIONS

## Anti-tipping Hardware Kit

### SHR77

#### HARDWARE & TOOLS

 <p>Bracket 2x</p>	 <p>Anchor 4x</p>	4x25mm  <p>Screw 4x</p>
---	--	---



#### STEPS:

- Mark stud locations on wall with corresponding locations at top of furniture
- Move furniture away from wall
- Position bracket on stud
- Drill holes.
- Insert anchors into holes
- Move furniture close to the wall and line up the brackets as shown above.
- Tighten the screws into wall through bracket with help of screw driver.