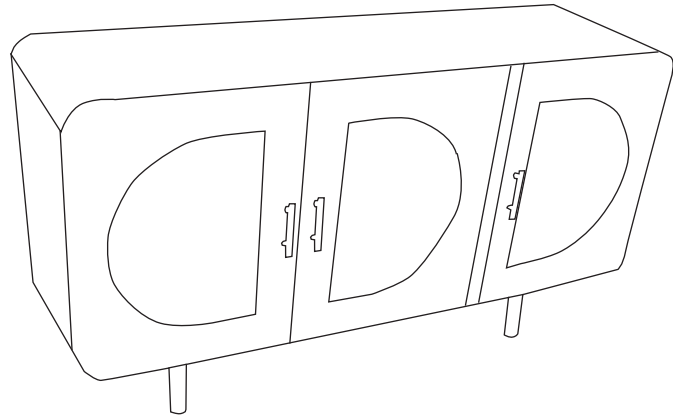
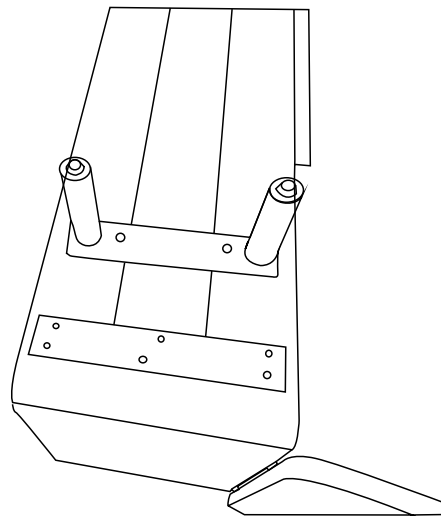


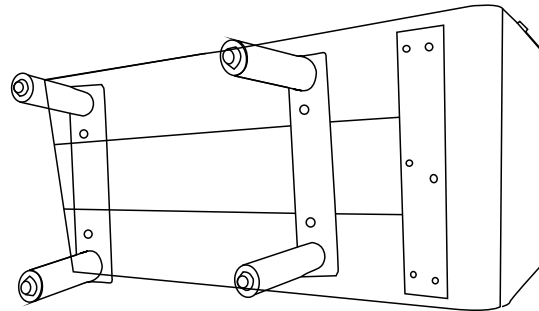
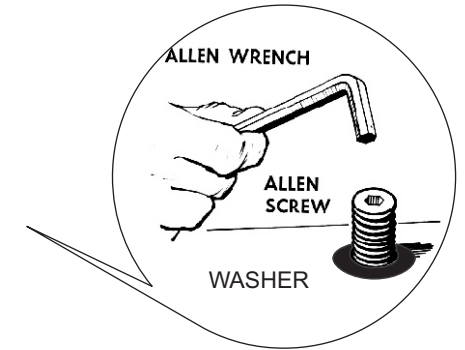
ASSEMBLY INSTRUCTIONS :-FOR VIN03



ASSEMBELED VIEW



BOTTOM VIEW



ASSEMBLING

HARDWARE

SR. NO.	DESCRIPTION	SKETCH	QTY.
H1	ALLEN SCREW 25MM * 06MM		04
H2	WASHER 25 MM		04
T1	ALLEN KEY 4 MM		01